

# PARTS LIST

## CAUTION

- The parts identified by the  $\triangle$  symbol are important for the safety. Whenever replacing these parts, be sure to use specified ones to secure the safety.
- The parts not indicated in this Parts List and those which are filled with lines — in the Parts No. columns will not be supplied.
- P. W. Board Ass'y will not be supplied, but those which are filled with the Parts No. in the Parts No. columns will be supplied.

## ABBREVIATIONS OF RESISTORS, CAPACITORS AND TOLERANCES

RESISTORS		CAPACITORS	
C R	Carbon Resistor	C CAP.	Ceramic Capacitor
F R	Fusible Resistor	E CAP.	Electrolytic Capacitor
P R	Plate Resistor	M CAP.	Mylar Capacitor
V R	Variable Resistor	HV CAP.	High Voltage Capacitor
HV R	High Voltage Resistor	MF CAP.	Metalized Film Capacitor
MF R	Metal Film Resistor	MM CAP.	Metalized Mylar Capacitor
MG R	Metal Glazed Resistor	MP CAP.	Metalized Polystyrol Capacitor
MP R	Metal Plate Resistor	PP CAP.	Polypropylene Capacitor
OM R	Metal Oxide Film Resistor	PS CAP.	Polystyrol Capacitor
CMF R	Coating Metal Film Resistor	TF CAP.	Thin Film Capacitor
UNF R	Non-Flammable Resistor	MPP CAP.	Metalized Polypropylene Capacitor
CH V R	Chip Variable Resistor	TAN. CAP.	Tantalum Capacitor
CH MG R	Chip Metal Glazed Resistor	CH C CAP.	Chip Ceramic Capacitor
COMP. R	Composition Resistor	BP E CAP.	Bi-Polar Electrolytic Capacitor
LPTC R	Linear Positive Temperature Coefficient Resistor	CH AL E CAP.	Chip Aluminum Electrolytic Capacitor
NETW R	Network Resistor	CH AL BP CAP.	Chip Aluminum Bi-Polar Capacitor
		CH TAN. E CAP.	Chip Tantalum Electrolytic Capacitor
		CH AL BP E CAP.	Chip Tantalum Bi-Polar Electrolytic Capacitor

TOLERANCES									
F	G	J	K	M	N	R	H	Z	P
±1%	±2%	±5%	±10%	±20%	±30%	+30%	+50%	+80%	+100%
						-10%	-10%	-20%	-0%

# CONTENTS

- P.W. BOARDS ..... 30
- EXPLODED VIEW PARTS LIST-I ..... 31
- EXPLODED VIEW-I ..... 31
- EXPLODED VIEW PARTS LIST-II ..... 32
- EXPLODED VIEW-II ..... 33
- PRINTED WIRING BOARD PARTS LIST
  - MAIN PW BOARD ASS'Y ..... 34
  - INTER PIN PW BOARD ASS'Y ..... 38
  - CRT SOCKET PW BOARD ASS'Y ..... 38
  - FRONT CONTROL PW BOARD ASS'Y ..... 39
  - ALC PW BOARD ASS'Y ..... 40
  - IF PW BOARD ASS'Y ..... 40
  - AV SW PW BOARD ASS'Y ..... 41
- PACKING ..... 44
- PACKING PARTS LIST ..... 44
- REMOTE CONTROL UNIT PARTS LIST ..... 44

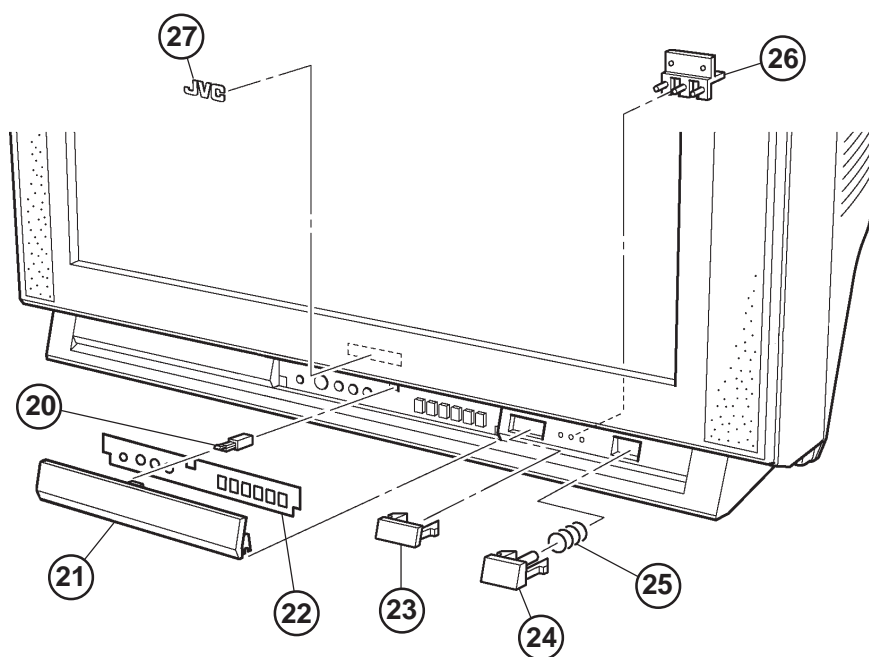
## P.W. BOARDS

P.W.B. Ass'y	Part No.
MAIN P.W.B.	SCM-1612A-H2
INNER PIN P.W.B.	SCM-2102A-H2
CRT SOCKET P.W.B.	SCM-3302A-H2
FRONT CONTROL P.W.B.	SCM-8302A-H2
ALC P.W.B.	SCM0A105A-H2
IF P.W.B.	SCM0F301A-H2
AV SW P.W.B.	SCM0Y501A-H2

## EXPLODED VIEW PARTS LIST-I

△ Ref.No.	Part No.	Part Name	Description	Local
20	CM48229-00A	DOOR LATCH		
21	LC20336-011A-H	DOOR	(Service)	
22	LC30694-003A-H	OPERATION SHEET		
23	LC30303-001A-H	E. E. WINDOW		
24	LC30302-014A	POWER KNOB	(Service)	
25	CM35235-003-H	SPRING		
26	LC30693-001A-H	LED LENS		
27	CM48125-009	JVC MARK		

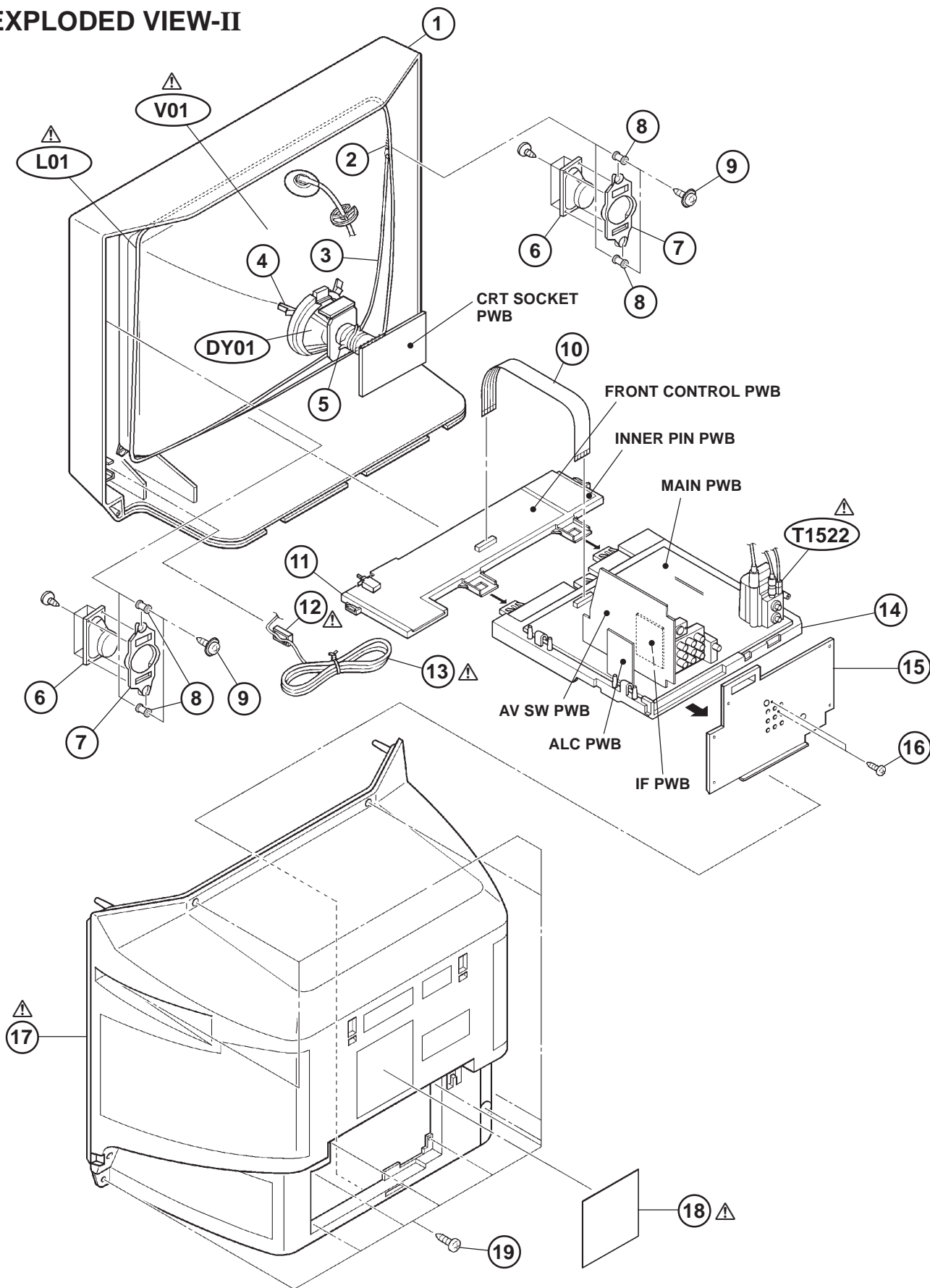
## EXPLODED VIEW-I



## EXPLODED VIEW PARTS LIST-II

△ Ref.No.	Part No.	Part Name	Description	Local
△ V01	A51LSK955X	PICTURE TUBE	or A51LSK655X	
△ L01	QQW0067-001	DEG COIL	or QQW0058-001	
DY01	QQD0035-001	DEFLECTION YOKE		
△ T1522	QH0061-001	H.V. TRANSF.		
1	LC10549-016A-H	FRONT CABI ASSY		
2	A48457-3-H	SPRING		
3	CHGB0016-0B-FH	BRAIDED ASSY		
4	CE40764-00A	WEDGE ASSY	(x3)	
5	CE42568-00A	PC MAGNET		
6	QAS0032-001	SPEAKER	(x2) SP01,SP02	
7	LC20371-001D-H	SP HOLDER	(x2)	
8	LC40226-001A	SPACER	(x4)	
9	LC40317-001A	TAPPING SCREW	(x4)	
10	CHFD125-12BD	FFC WIRE		
11	LC10478-002A-H	CONTROL BASE		
△ 12	CM47005-A01-H	CORD CLAMP		
△ 13	QMP40D0-200J5	POWER CORD	or QMP40D0-200J3	
14	CM12624-A02-VH	PB BASE		
15	LC10546-001A-H	AV TERMINAL BOARD		
16	QYSBSF3012M	TAPPING SCREW	(x2)	
△ 17	LC10551-002A-H	REAR COVER		
△ 18	LC20377-001B-H	RATING LABEL		
19	QYSBSFG4016Z	TAPPING SCREW	(x12)	

EXPLODED VIEW-II



## PRINTED WIRING BOARD PARTS LIST

## MAIN P.W. BOARD ASS'Y (SCM-1612A-H2)

Symbol No.	Part No.	Part Name	Description	Local
<b>RESISTOR</b>				
R1001	QRE141J-102Y	C R	1kΩ 1/4W J	
R1002	QRE141J-102Y	C R	1kΩ 1/4W J	
R1003	QRE141J-102Y	C R	1kΩ 1/4W J	
R1004	QRE141J-102Y	C R	1kΩ 1/4W J	
R1101	QRE141J-473Y	C R	47kΩ 1/4W J	
R1102	QRE141J-153Y	C R	15kΩ 1/4W J	
R1103	QRE141J-750Y	C R	75Ω 1/4W J	
R1151	QRE141J-103Y	C R	10kΩ 1/4W J	
R1152	QRE141J-103Y	C R	10kΩ 1/4W J	
R1153	QRE141J-102Y	C R	1kΩ 1/4W J	
R1201	QRE141J-562Y	C R	5.6kΩ 1/4W J	
R1203	QRE141J-224Y	C R	22kΩ 1/4W J	
R1204	QRE141J-391Y	C R	390Ω 1/4W J	
R1205	QRE141J-391Y	C R	390Ω 1/4W J	
R1206	QRE141J-472Y	C R	4.7kΩ 1/4W J	
R1207	QRE141J-101Y	C R	100Ω 1/4W J	
R1301	QRE141J-681Y	C R	680Ω 1/4W J	
R1302	QRE141J-102Y	C R	1kΩ 1/4W J	
R1303	QRE141J-273Y	C R	27kΩ 1/4W J	
R1304	QRE141J-101Y	C R	100Ω 1/4W J	
R1305	QRE141J-101Y	C R	100Ω 1/4W J	
R1306	QRE141J-101Y	C R	100Ω 1/4W J	
R1307	QRE141J-102Y	C R	1kΩ 1/4W J	
R1308	QRE141J-102Y	C R	1kΩ 1/4W J	
R1309	QRE141J-102Y	C R	1kΩ 1/4W J	
R1310	QRE141J-102Y	C R	1kΩ 1/4W J	
R1311	QRE141J-333Y	C R	33kΩ 1/4W J	
R1313	QRE141J-103Y	C R	10kΩ 1/4W J	
R1314	QRE141J-103Y	C R	10kΩ 1/4W J	
R1315	QRE141J-222Y	C R	2.2kΩ 1/4W J	
R1319	QRE141J-333Y	C R	33kΩ 1/4W J	
R1321	QRE141J-101Y	C R	100Ω 1/4W J	
R1322	QRE141J-101Y	C R	100Ω 1/4W J	
R1325	QRE141J-154Y	C R	150kΩ 1/4W J	
R1401	QRE141J-103Y	C R	10kΩ 1/4W J	
R1402	QRE141J-103Y	C R	10kΩ 1/4W J	
R1403	QRE141J-102Y	C R	1kΩ 1/4W J	
R1406	QRE141J-183Y	C R	18kΩ 1/4W J	
R1407	QRE141J-223Y	C R	22kΩ 1/4W J	
R1422	QRE141J-472Y	C R	4.7kΩ 1/4W J	
R1423	QRE141J-102Y	C R	1kΩ 1/4W J	
R1425	QRE141J-333Y	C R	33kΩ 1/4W J	
R1426	QRE141J-333Y	C R	33kΩ 1/4W J	
R1427	QRE141J-103Y	C R	10kΩ 1/4W J	
R1429	QRA14CF-2491Y	MF R	2.49kΩ 1/4W F	
R1430	QRE141J-103Y	C R	10kΩ 1/4W J	
R1431	QRA14CF-1002Y	MF R	10kΩ 1/4W F	
R1432	QRE121J-6R8Y	C R	6.8Ω 1/2W J	
R1433	QRX01GJ-6R8	MF R	6.8Ω 1W J	
R1434	QRE141J-473Y	C R	47kΩ 1/4W J	
R1436	QRA14CF-2202Y	MF R	22kΩ 1/4W F	
R1440	QRG01GJ-221	OM R	220Ω 1W J	
R1446	QRK126J-1R0X	C R	1.0Ω 1/2W J	
R1451	QRE141J-272Y	C R	2.7kΩ 1/4W J	
R1452	QRE141J-563Y	C R	56kΩ 1/4W J	
R1453	QRE141J-183Y	C R	18kΩ 1/4W J	
R1454	QRE141J-103Y	C R	10kΩ 1/4W J	
R1461	QRE141J-821Y	C R	820Ω 1/4W J	
R1462	QRE141J-183Y	C R	18kΩ 1/4W J	
R1463	QRE141J-221Y	C R	220Ω 1/4W J	
R1464	QRE141J-221Y	C R	220Ω 1/4W J	
R1465	QRE141J-331Y	C R	330Ω 1/4W J	
R1466	QRZ9009-2R2	F R	2.2Ω 1/2W J	
R1467	QRE141J-333Y	C R	33kΩ 1/4W J	
R1468	QRE141J-102Y	C R	1kΩ 1/4W J	
R1469	QRE141J-222Y	C R	2.2kΩ 1/4W J	
R1470	QRE141J-102Y	C R	1kΩ 1/4W J	
R1474	QRE141J-102Y	C R	1kΩ 1/4W J	
R1475	QRE141J-563Y	C R	56kΩ 1/4W J	
R1476	QRE141J-124Y	C R	120kΩ 1/4W J	
R1477	QRE141J-124Y	C R	120kΩ 1/4W J	
R1478	QRE121J-103Y	C R	10kΩ 1/2W J	
R1479	QRE141J-102Y	C R	1kΩ 1/4W J	

Symbol No.	Part No.	Part Name	Description	Local
<b>RESISTOR</b>				
R1480	QRE121J-392Y	C R	3.9kΩ 1/2W J	
R1481	QRE141J-102Y	C R	1kΩ 1/4W J	
R1482	QRE121J-123Y	C R	12kΩ 1/2W J	
R1483	QRL039J-330	OM R	33Ω 3W J	
R1501	QRE141J-822Y	C R	8.2kΩ 1/4W J	
R1502	QRE141J-621Y	C R	620Ω 1/4W J	
R1504	QRE141J-152Y	C R	1.5kΩ 1/4W J	
R1505	QRE141J-104Y	C R	100kΩ 1/4W J	
R1508	QRE141J-823Y	C R	82kΩ 1/4W J	
R1522	QRE141J-123Y	C R	12kΩ 1/4W J	
R1523	QRE121J-103Y	C R	10kΩ 1/2W J	
R1524	QRG029J-392	OM R	3.9kΩ 2W J	
R1525	QRG029J-472	OM R	4.7kΩ 2W J	
R1526	QRE121J-220Y	C R	22Ω 1/2W J	
R1528	QRE121J-472Y	C R	4.7kΩ 1/2W J	
R1571	QRF104K-5R6	UNF R	5.6Ω 10W K	
R1572	QRA14CF-9101Y	MF R	9.1kΩ 1/4W F	
R1573	QRA14CF-1001Y	MF R	1.0kΩ 1/4W F	
R1574	QRE121J-223Y	C R	22kΩ 1/2W J	
R1575	QRE141J-222Y	C R	2.2kΩ 1/4W J	
R1576	QRE141J-102Y	C R	1kΩ 1/4W J	
R1581	QRE141J-391Y	C R	390Ω 1/4W J	
R1582	QRE141J-124Y	C R	120kΩ 1/4W J	
R1583	QRE141J-154Y	C R	150kΩ 1/4W J	
R1594	QRE141J-822Y	C R	8.2kΩ 1/4W J	
R1595	QRE141J-393Y	C R	39kΩ 1/4W J	
R1652	QRE141J-122Y	C R	1.2kΩ 1/4W J	
R1654	QRE141J-122Y	C R	1.2kΩ 1/4W J	
R1655	QRE141J-104Y	C R	100kΩ 1/4W J	
R1690	QRE121J-4R7Y	C R	4.7Ω 1/2W J	
R1691	QRE121J-4R7Y	C R	4.7Ω 1/2W J	
R1692	QRE141J-561Y	C R	560Ω 1/4W J	
R1693	QRE141J-561Y	C R	560Ω 1/4W J	
R1701	QRE141J-103Y	C R	10kΩ 1/4W J	
R1703	QRE141J-102Y	C R	1kΩ 1/4W J	
R1704	QRE141J-102Y	C R	1kΩ 1/4W J	
R1705	QRE141J-221Y	C R	220Ω 1/4W J	
R1706	QRE141J-221Y	C R	220Ω 1/4W J	
R1707	QRE141J-221Y	C R	220Ω 1/4W J	
R1708	QRE141J-221Y	C R	220Ω 1/4W J	
R1709	QRE141J-682Y	C R	6.8kΩ 1/4W J	
R1710	QRB089J-682	NETW. R	6.8kΩ	
R1711	QRE141J-473Y	C R	47kΩ 1/4W J	
R1712	QRE141J-102Y	C R	1kΩ 1/4W J	
R1713	QRE141J-332Y	C R	3.3kΩ 1/4W J	
R1714	QRE141J-332Y	C R	3.3kΩ 1/4W J	
R1715	QRE141J-221Y	C R	220Ω 1/4W J	
R1720	QRE141J-102Y	C R	1kΩ 1/4W J	
R1721	QRE141J-392Y	C R	3.9kΩ 1/4W J	
R1722	QRE141J-102Y	C R	1kΩ 1/4W J	
R1723	QRE141J-392Y	C R	3.9kΩ 1/4W J	
R1724	QRE141J-102Y	C R	1kΩ 1/4W J	
R1725	QRE141J-392Y	C R	3.9kΩ 1/4W J	
R1726	QRE141J-101Y	C R	100Ω 1/4W J	
R1727	QRE141J-472Y	C R	4.7kΩ 1/4W J	
R1729	QRE141J-124Y	C R	120kΩ 1/4W J	
R1730	QRE141J-683Y	C R	68kΩ 1/4W J	
R1731	QRE141J-563Y	C R	56kΩ 1/4W J	
R1732	QRE141J-223Y	C R	22kΩ 1/4W J	
R1733	QRE141J-103Y	C R	10kΩ 1/4W J	
R1734	QRE141J-103Y	C R	10kΩ 1/4W J	
R1735	QRE141J-223Y	C R	22kΩ 1/4W J	
R1736	QRE141J-153Y	C R	15kΩ 1/4W J	
R1737	QRE141J-103Y	C R	10kΩ 1/4W J	
R1738	QRE141J-821Y	C R	820Ω 1/4W J	
R1739	QRE141J-471Y	C R	470Ω 1/4W J	
R1740	QRE141J-221Y	C R	220Ω 1/4W J	
R1741	QRE141J-221Y	C R	220Ω 1/4W J	
R1742	QRE141J-221Y	C R	220Ω 1/4W J	
R1743	QRE141J-221Y	C R	220Ω 1/4W J	
R1744	QRE141J-221Y	C R	220Ω 1/4W J	
R1745	QRE141J-101Y	C R	100Ω 1/4W J	
R1746	QRE141J-221Y	C R	220Ω 1/4W J	

Symbol No.	Part No.	Part Name	Description	Local	Symbol No.	Part No.	Part Name	Description	Local
<b>RESISTOR</b>					<b>CAPACITOR</b>				
R1747	QRE141J-102Y	C R	1kΩ 1/4W	J	C1015	QCB31HK-222Z	C CAP.	2200pF 50V	K
R1748	QRE141J-102Y	C R	1kΩ 1/4W	J	C1151	QCB31HK-103Z	C CAP.	0.01μF 50V	K
R1749	QRE141J-102Y	C R	1kΩ 1/4W	J	C1201	QETN1CM-107Z	E CAP.	100μF 16V	M
R1752	QRE141J-102Y	C R	1kΩ 1/4W	J	C1202	QFV71HJ-104Z	TF CAP.	0.1μF 50V	J
R1755	QRE141J-102Y	C R	1kΩ 1/4W	J	C1203	QETN1HM-105Z	E CAP.	1μF 50V	M
R1756	QRE141J-102Y	C R	1kΩ 1/4W	J	C1204	QFV71HJ-104Z	TF CAP.	0.1μF 50V	J
R1757	QRE141J-102Y	C R	1kΩ 1/4W	J	C1205	QETN1HM-475Z	E CAP.	4.7μF 50V	M
R1761	QRE141J-103Y	C R	10kΩ 1/4W	J	C1206	QFLC1HJ-103Z	M CAP.	0.01μF 50V	J
R1762	QRE141J-331Y	C R	330Ω 1/4W	J	C1207	QETN1CM-107Z	E CAP.	100μF 16V	M
R1764	QRE141J-472Y	C R	4.7kΩ 1/4W	J	C1208	QETN1CM-107Z	E CAP.	100μF 16V	M
R1765	QRE141J-102Y	C R	1kΩ 1/4W	J	C1209	QCB31HK-103Z	C CAP.	0.01μF 50V	K
R1766	QRE141J-102Y	C R	1kΩ 1/4W	J	C1210	QETN1HM-106Z	E CAP.	10μF 50V	M
R1770	QRE141J-102Y	C R	1kΩ 1/4W	J	C1212	QETN1HM-106Z	E CAP.	10μF 50V	M
R1771	QRE141J-103Y	C R	10kΩ 1/4W	J	C1301	QFLC1HJ-823Z	M CAP.	0.082μF 50V	J
R1772	QRE141J-682Y	C R	6.8kΩ 1/4W	J	C1302	QCB31HK-103Z	C CAP.	0.01μF 50V	K
R1801	QRE141J-471Y	C R	470Ω 1/4W	J	C1303	QDC31HJ-120Z	C CAP.	12pF 50V	J
R1802	QRE141J-392Y	C R	3.9kΩ 1/4W	J	C1304	QFV71HJ-104Z	TF CAP.	0.1μF 50V	J
R1803	QRE141J-561Y	C R	560Ω 1/4W	J	C1305	QFV71HJ-104Z	TF CAP.	0.1μF 50V	J
R1805	QRE141J-102Y	C R	1kΩ 1/4W	J	C1306	QFV71HJ-104Z	TF CAP.	0.1μF 50V	J
R1806	QRE141J-152Y	C R	1.5kΩ 1/4W	J	C1307	QETN1HM-225Z	E CAP.	2.2μF 50V	M
R1807	QRE141J-333Y	C R	33kΩ 1/4W	J	C1308	QFLC1HJ-103Z	M CAP.	0.01μF 50V	J
R1808	QRE141J-182Y	C R	1.8kΩ 1/4W	J	C1309	QETN1HM-475Z	E CAP.	4.7μF 50V	M
R1809	QRE141J-181Y	C R	180Ω 1/4W	J	C1310	QCB31HK-103Z	C CAP.	0.01μF 50V	K
R1810	QRE141J-182Y	C R	1.8kΩ 1/4W	J	C1311	QETN1CM-107Z	E CAP.	100μF 16V	M
R1811	QRE141J-181Y	C R	180Ω 1/4W	J	C1312	QETN1CM-227Z	E CAP.	220μF 16V	M
R1812	QRE141J-182Y	C R	1.8kΩ 1/4W	J	C1313	QETN1HM-105Z	E CAP.	1μF 50V	M
R1813	QRE141J-181Y	C R	180Ω 1/4W	J	C1314	QETN1HM-105Z	E CAP.	1μF 50V	M
R1814	QRE141J-122Y	C R	1.2kΩ 1/4W	J	C1315	QETN1HM-105Z	E CAP.	1μF 50V	M
R1815	QRE141J-561Y	C R	560Ω 1/4W	J	C1317	QCS31HJ-470Z	C CAP.	47pF 50V	J
R1816	QRE141J-152Y	C R	1.5kΩ 1/4W	J	C1321	QCS31HJ-101Z	C CAP.	100pF 50V	K
R1817	QRE141J-152Y	C R	1.5kΩ 1/4W	J	C1322	QCS31HJ-101Z	C CAP.	100pF 50V	K
R1901	QRF154K-1R8	UNF R	1.8Ω 15W	J	C1403	QETN1HM-105Z	E CAP.	1μF 50V	M
R1902	QRL039J-683	OM R	68kΩ 3W	J	C1420	QFLC1HJ-152Z	M CAP.	1500pF 50V	J
R1921	QRE121J-681Y	C R	680Ω 1/2W	J	C1422	QFLC1HJ-102Z	M CAP.	1000pF 50V	J
R1922	QRM059K-R10	MP R	0.1Ω 5W	K	C1423	QFLC2AJ-393Z	M CAP.	0.039μF 100V	J
R1923	QRT029J-1R2	MF R	1.2Ω 2W	J	C1425	QFV71HJ-104Z	TF CAP.	0.1μF 50V	J
R1926	QRE121J-222Y	C R	2.2kΩ 1/2W	J	C1426	QCS32HJ-180Z	C CAP.	18pF 500V	J
R1928	QRL029J-823	OM R	82kΩ 2W	J	C1427	QETM1VM-108	E CAP.	1000μF 35V	M
R1929	QRE121J-332Y	C R	3.3kΩ 1/2W	J	C1428	QETN1VM-107Z	E CAP.	100μF 35V	M
R1930	QRL029J-823	OM R	82kΩ 2W	J	C1429	QFLC1HJ-152Z	M CAP.	1500pF 50V	J
R1932	QRE121J-564Y	C R	560kΩ 1/2W	J	C1430	QFLC2AJ-563Z	M CAP.	0.056μF 100V	J
R1934	QRE121J-183Y	C R	18kΩ 1/2W	J	C1431	QCB31HK-221Z	C CAP.	220pF 50V	K
R1935	QRE121J-102Y	C R	1kΩ 1/2W	J	C1432	QCB32HK-221Z	C CAP.	220pF 500V	K
R1936	QQRK126J-6R8X	C R	6.8Ω 1/2W	J	C1434	QETN1CM-227Z	E CAP.	220μF 16V	M
R1937	QRE141J-220Y	C R	22Ω 1/4W	J	C1436	QFLC2AJ-104Z	M CAP.	0.1μF 100V	J
R1938	QRE121J-103Y	C R	10kΩ 1/2W	J	C1451	QETN1HM-106Z	E CAP.	10μF 50V	M
R1941	QRE121J-152Y	C R	1.5kΩ 1/2W	J	C1462	QFLC1HJ-333Z	M CAP.	0.033μF 50V	J
R1943	QRE141J-682Y	C R	6.8kΩ 1/4W	J	C1463	QEM61EK-225Z	E CAP.	2.2μF 25V	K
R1944	QRE121J-332Y	C R	3.3kΩ 1/2W	J	C1464	QFV71HJ-184Z	TF CAP.	0.18μF 50V	J
R1946	QRE141J-153Y	C R	15kΩ 1/4W	J	C1465	QFLC1HJ-823Z	M CAP.	0.082μF 50V	J
R1970	QRL029J-180	OM R	18Ω 2W	J	C1466	QETM1CM-228	E CAP.	2200μF 16V	M
R1971	QRE141J-223Y	C R	22kΩ 1/4W	J	C1467	QFV71HJ-104Z	TF CAP.	0.1μF 50V	J
R1972	QRE121J-152Y	C R	1.5kΩ 1/2W	J	C1468	QFLC1HJ-272Z	M CAP.	2700pF 50V	J
R1973	QRE141J-223Y	C R	22kΩ 1/4W	J	C1471	QCS31HJ-680Z	C CAP.	68pF 50V	J
R1974	QRE141J-332Y	C R	3.3kΩ 1/4W	J	C1472	QCS31HJ-121Z	C CAP.	120pF 50V	K
R1975	QRE141J-123Y	C R	12kΩ 1/4W	J	C1501	QCB31HK-103Z	C CAP.	0.01μF 50V	K
R1976	QRT029J-2R2	MF R	2.2Ω 2W	J	C1502	QETN1HM-105Z	E CAP.	1μF 50V	M
R1977	QRG029J-183	OM R	18kΩ 2W	J	C1503	QETM1CM-228	E CAP.	2200μF 16V	M
R1978	QRE121J-152Y	C R	1.5kΩ 1/2W	J	C1504	QCB31HK-103Z	C CAP.	0.01μF 50V	K
R1979	QRE141J-472Y	C R	4.7kΩ 1/4W	J	C1505	QCB31HK-103Z	C CAP.	0.01μF 50V	K
R1980	QRE141J-821Y	C R	820Ω 1/4W	J	C1506	QCB31HK-103Z	C CAP.	0.01μF 50V	K
R1981	QRE141J-222Y	C R	2.2kΩ 1/4W	J	C1507	QFLC1HJ-332Z	M CAP.	3300pF 50V	J
R1982	QRE141J-822Y	C R	8.2kΩ 1/4W	J	C1508	QETN1AM-107Z	E CAP.	100μF 10V	M
R1984	QRL029J-270	OM R	27Ω 2W	J	C1509	QCB31HK-103Z	C CAP.	0.01μF 50V	K
△ R1991	QRZ0057-825	C R	8.2MΩ 1W	J	C1521	QCB32HK-151Z	C CAP.	150pF 500V	K
<b>CAPACITOR</b>					C1522	QCB32HK-331Z	C CAP.	330pF 500V	K
C1001	QETN1HM-475Z	E CAP.	4.7μF 50V	M	C1523	QEHR2CM-105Z	E CAP.	1μF 160V	M
C1002	QETN1CM-108Z	E CAP.	1000μF 16V	M	C1524	QFZ0200-482	MPP CAP.	4800pF 1.5kVH ±3%	
C1003	QETN1HM-106Z	E CAP.	10μF 50V	M	C1525	QFZ0200-512	MPP CAP.	5100pF 1.5kVH ±3%	
C1004	QETN1CM-107Z	E CAP.	100μF 16V	M	C1526	QFP32GJ-183	PP CAP.	0.018μF 400V	J
C1005	QCB31HK-103Z	C CAP.	0.01μF 50V	K	C1528	QEZ0195-475Z	E CAP.	4.7μF 50V	M
C1006	QCB31HK-103Z	C CAP.	0.01μF 50V	K	C1530	QCB32HK-561Z	C CAP.	560pF 500V	K
C1007	QCB31HK-103Z	C CAP.	0.01μF 50V	K	C1552	QETN1EM-108Z	E CAP.	1000μF 25V	M
					C1554	QETN1EM-108Z	E CAP.	1000μF 25V	M
					C1557	QETN2EM-106Z	E CAP.	10μF 250V	M
					C1571	QETN1CM-107Z	E CAP.	100μF 16V	M

Symbol No.	Part No.	Part Name	Description	Local
<b>CAPACITOR</b>				
C1572	QETN1EM-476Z	E CAP.	47μF 25V M	
C1581	QFV71HJ-104Z	TF CAP.	0.1μF 50V J	
C1651	QENC1EM-106Z	BP E CAP.	10μF 25V M	
C1652	QENC1EM-106Z	BP E CAP.	10μF 25V M	
C1653	QETN1EM-227Z	E CAP.	220μF 25V M	
C1673	QCS31HJ-221Z	C CAP.	220pF 50V J	
C1674	QCS31HJ-221Z	C CAP.	220pF 50V J	
C1677	QETN1EM-107Z	E CAP.	100μF 25V M	
C1678	QETN1EM-107Z	E CAP.	100μF 25V M	
C1681	QETM1EM-228	E CAP.	2200μF 25V M	
C1682	QFV71HJ-104Z	TF CAP.	0.1μF 50V J	
C1683	QFV71HJ-104Z	TF CAP.	0.1μF 50V J	
C1684	QETN1EM-108Z	E CAP.	1000μF 25V M	
C1685	QETN1EM-108Z	E CAP.	1000μF 25V M	
C1686	QETN1EM-476Z	E CAP.	47μF 25V M	
C1687	QETN1EM-476Z	E CAP.	47μF 25V M	
C1688	QFV71HJ-104Z	TF CAP.	0.1μF 50V J	
C1689	QFV71HJ-104Z	TF CAP.	0.1μF 50V J	
C1701	QETN1EM-227Z	E CAP.	220μF 25V M	
C1702	QFV71HJ-104Z	TF CAP.	0.1μF 50V J	
C1703	QETN1EM-107Z	E CAP.	100μF 25V M	
C1704	QFLC1HJ-103Z	M CAP.	0.01μF 50V J	
C1705	QETN1AM-107Z	E CAP.	100μF 10V M	
C1707	QETN1HM-106Z	E CAP.	10μF 50V M	
C1710	QFLC1HJ-103Z	M CAP.	0.01μF 50V J	
C1711	QFV71HJ-104Z	TF CAP.	0.1μF 50V J	
C1712	QETN1AM-107Z	E CAP.	100μF 10V M	
C1713	QCS31HJ-271Z	C CAP.	270pF 50V J	
C1714	QFV71HJ-104Z	TF CAP.	0.1μF 50V J	
C1715	QFLC1HJ-473Z	M CAP.	0.047μF 50V J	
C1718	QFLC1HJ-272Z	M CAP.	2700pF 50V J	
C1719	QCB31HK-102Z	C CAP.	1000pF 50V K	
C1724	QDC31HJ-560Z	C CAP.	56pF 50V J	
C1725	QDC31HJ-560Z	C CAP.	56pF 50V J	
C1726	QCS31HJ-101Z	C CAP.	100pF 50V K	
C1727	QFLC1HJ-103Z	M CAP.	0.01μF 50V J	
C1728	QCB31HK-103Z	C CAP.	0.01μF 50V K	
C1729	QCB31HK-103Z	C CAP.	0.01μF 50V K	
C1730	QCS31HJ-181Z	C CAP.	180pF 50V J	
C1731	QFLC1HJ-103Z	M CAP.	0.01μF 50V J	
C1801	QETN1EM-476Z	E CAP.	47μF 25V M	
C1802	QCS31HJ-331Z	C CAP.	330pF 50V J	
C1803	QFLC1HJ-223Z	M CAP.	0.022μF 50V J	
C1804	QCS31HJ-221Z	C CAP.	220pF 50V J	
C1805	QDC31HJ-150Z	C CAP.	15pF 50V J	
C1806	QDC31HJ-150Z	C CAP.	15pF 50V J	
C1807	QETN1AM-107Z	E CAP.	100μF 10V M	
C1808	QCB31HK-102Z	C CAP.	1000pF 50V K	
C1809	QCS31HJ-221Z	C CAP.	220pF 50V J	
C1810	QETN1AM-107Z	E CAP.	100μF 10V M	
C1811	QCB31HK-103Z	C CAP.	0.01μF 50V K	
C1812	QFV71HJ-104Z	TF CAP.	0.1μF 50V J	
C1813	QCB31HK-103Z	C CAP.	0.01μF 50V K	
C1814	QETN1HM-226Z	E CAP.	22μF 50V M	
C1815	QFV71HJ-104Z	TF CAP.	0.1μF 50V J	
C1816	QCB31HK-103Z	C CAP.	0.01μF 50V K	
C1817	QFLC1HJ-103Z	M CAP.	0.01μF 50V J	
C1818	QCB31HK-103Z	C CAP.	0.01μF 50V K	
C1820	QFV71HJ-104Z	TF CAP.	0.1μF 50V J	
△ C1902	QFZ9040-104	MF CAP.	0.1μF AC275V M	
△ C1903	QFZ9040-473	MF CAP.	0.047μF AC275V M	
C1904	QCZ9054-102	C CAP.	1000pF AC250V Z	
C1905	QCZ9054-102	C CAP.	1000pF AC250V Z	
C1906	QCZ9054-102	C CAP.	1000pF AC250V Z	
C1907	QCZ9054-102	C CAP.	1000pF AC250V Z	
C1909	QEZO371-337	E CAP.	330μF 400V M	
C1921	QCZO122-561	C CAP.	560pF 2kV K	
C1922	QCS31HJ-471Z	C CAP.	470pF 50V J	
C1924	QETN1VM-107Z	E CAP.	100μF 35V M	
C1926	QFLC1HJ-222Z	M CAP.	2200pF 50V J	
C1929	QCB32HK-103	C CAP.	0.01μF 500V K	
C1930	QCZO122-561	C CAP.	560pF 2kV K	
C1931	QCZO325-271	C CAP.	270pF 2kV K	
C1932	QETN1HM-227Z	E CAP.	220μF 50V M	
C1933	QFV71HJ-104Z	TF CAP.	0.1μF 50V J	
C1941	QCZO122-391	C CAP.	390pF 2kV K	

Symbol No.	Part No.	Part Name	Description	Local
<b>CAPACITOR</b>				
C1942	QEZO203-227	E CAP.	220μF 160V M	
C1943	QEZO203-476	E CAP.	47μF 160V M	
C1945	QEHR1EM-108Z	E CAP.	1000μF 25V M	
C1948	QEHO1EM-228	E CAP.	2200μF 25V M	
C1949	QCB31HK-471Z	C CAP.	470pF 50V K	
C1950	QFV71HJ-104Z	TF CAP.	0.1μF 50V J	
C1952	QEHR1CM-108Z	E CAP.	1000μF 16V M	
C1972	QEHR1AM-108Z	E CAP.	1000μF 10V M	
C1973	QEHR1EM-107Z	E CAP.	100μF 25V M	
C1974	QEHR1CM-107Z	E CAP.	100μF 16V M	
C1975	QEHR1CM-107Z	E CAP.	100μF 16V M	
C1976	QEHR1CM-107Z	E CAP.	100μF 16V M	
C1977	QEHO1CM-228	E CAP.	2200μF 16V M	
C1978	QETN1AM-107Z	E CAP.	100μF 10V M	
△ C1991	QCZ9079-471	C CAP.	470pF AC250V K	
△ C1992	QCZ9079-471	C CAP.	470pF AC250V K	
△ C1993	QCZ9079-152	C CAP.	1500pF AC250V K	

<b>TRANSFORMER</b>				
T1521	CE42034-002	HOR DRIVE TRANSF.		
△ T1522	QHQ0061-001	H.V. TRANSF.		
△ T1921	QQS0047-001	SW TRANSF.		

<b>COIL</b>				
L1001	QQL05BK-8R2Z	COIL	8.2μH	K
L1201	CE41433-001Z	BEADS CORE		
L1301	QQL244K-470Z	COIL	47μH	K
L1302	QQL244K-470Z	COIL	47μH	K
L1521	QQR1017-001	CHOKE COIL		
L1522	QQR1045-001	LINEARITY COIL		
L1551	QQLZ018-860	HEATER CHOKE		
L1701	QQL244K-8R2Z	COIL	8.2μH	K
L1702	QQL244K-5R6Z	COIL	5.6μH	K
L1703	QQL244K-100Z	COIL	10μH	K
L1941	QQL42AK-820Z	CHOKE COIL	82μH	K
L1942	QQL42AK-820Z	CHOKE COIL	82μH	K
L1943	QQL42AK-820Z	CHOKE COIL	82μH	K

<b>DIODE</b>				
D1001	MTZJ33A-T2	ZENER DIODE		
D1204	1SS133-T2	SI DIODE		
D1421	MTZJ8.2B-T2	ZENER DIODE		
D1423	1SR124-400A-T2	SI DIODE		
D1426	1SS133-T2	SI DIODE		
D1452	MTZJ22B-T2	ZENER DIODE		
D1453	1SS133-T2	SI DIODE		
D1461	MTZJ3.9B-T2	ZENER DIODE		
D1462	MTZJ12C-T2	ZENER DIODE		
D1501	MTZJ9.1C-T2	ZENER DIODE		
D1521	RH3G-F1	SI DIODE		
D1522	RU30-F1	SI DIODE		
D1551	RGP10J-TS-T3	SI DIODE		
D1552	RGP10J-TS-T3	SI DIODE		
D1553	RGP10J-TS-T3	SI DIODE		
D1554	RGP10J-TS-T3	SI DIODE		
D1571	MTZJ7.5B-T2	ZENER DIODE		
D1572	1SS133-T2	SI DIODE		
D1581	MTZJ6.8A-T2	ZENER DIODE		
D1582	RGP10J-5025-T3	SI DIODE		
D1701	1SS133-T2	SI DIODE		
D1702	1SS133-T2	SI DIODE		
D1703	1SS133-T2	SI DIODE		
D1706	MTZJ8.2B-T2	ZENER DIODE		
D1707	MTZJ8.2B-T2	ZENER DIODE		
D1708	MTZJ8.2B-T2	ZENER DIODE		
D1709	MTZJ8.2B-T2	ZENER DIODE		
D1710	MTZJ8.2B-T2	ZENER DIODE		
D1713	1SS133-T2	SI DIODE		
D1716	1SS133-T2	SI DIODE		
D1717	1SS133-T2	SI DIODE		
D1721	1SS133-T2	SI DIODE		



Symbol No.	Part No.	Part Name	Description	Local
<b>DIODE</b>				
D1722	1SS133-T2	SI DIODE		
D1901	D35B60	BRIDGE DIODE		
D1921	1SR124-400A-T2	SI DIODE		
D1922	1SS133-T2	SI DIODE		
D1924	1SS133-T2	SI DIODE		
D1926	RU1C-LFC4	SI DIODE		
D1927	MTZJ6.8A-T2	ZENER DIODE		
D1928	1SS133-T2	SI DIODE		
D1929	MTZJ15A-T2	ZENER DIODE		
D1932	MTZJ27B-T2	ZENER DIODE		
D1933	MTZJ18A-T2	ZENER DIODE		
D1934	1SS133-T2	SI DIODE		
D1941	RU30A-F1	SI DIODE		
D1942	ERC30-02L38	SI DIODE		
D1943	ERC30-02L38	SI DIODE		
D1944	MTZJ5.6B-T2	ZENER DIODE		
D1945	RGP10J-5025-T3	SI DIODE		
D1946	1SR124-400A-T2	SI DIODE		
D1981	1SS133-T2	SI DIODE		
D1982	1SS133-T2	SI DIODE		
D1983	1SS133-T2	SI DIODE		
D1984	1SS133-T2	SI DIODE		
D1986	MTZJ4.7A-T2	ZENER DIODE		
D1987	1SS133-T2	SI DIODE		

**TRANSISTOR**

Q1151	2SC1740S/QR/-T	SI TRANSISTOR		
Q1201	2SA933AS/QR/-T	SI TRANSISTOR		
Q1302	2SC1740S/QR/-T	SI TRANSISTOR		
Q1422	2SC1740S/QR/-T	SI TRANSISTOR		
Q1423	2SC1740S/QR/-T	SI TRANSISTOR		
Q1424	2SC1740S/QR/-T	SI TRANSISTOR		
Q1451	2SC1815/YG/-T	SI TRANSISTOR		
Q1452	2SC1815/YG/-T	SI TRANSISTOR		
Q1461	2SC1740S/QR/-T	SI TRANSISTOR		
Q1462	2SD1408/OY/-LB	POWER TRANSISTOR		
Q1521	BSN304-T	TRANSISTOR		
Q1522	2SD2333-RL	PW TRANSISTOR	H. OUT	
Q1571	2SA1208/ST/Z1-T	SI TRANSISTOR		
Q1651	DTC323TS-T	DIGI TRANSISTOR		
Q1652	DTC323TS-T	DIGI TRANSISTOR		
Q1653	2SA933AS/QR/-T	SI TRANSISTOR		
Q1701	2SA933AS/QR/-T	SI TRANSISTOR		
Q1702	2SC1740S/QR/-T	SI TRANSISTOR		
Q1703	2SC1740S/QR/-T	SI TRANSISTOR		
Q1801	2SC1740S/QR/-T	SI TRANSISTOR		
Q1802	2SC1740S/QR/-T	SI TRANSISTOR		
Q1922	2SC1740S/QR/-T	SI TRANSISTOR		
Q1941	2SC2240/GL/-T	SI TRANSISTOR		
Q1942	DTC144GSA-T	DIGI TRANSISTOR		
Q1971	2SA966/OY/-T	SI TRANSISTOR		
Q1972	DTC144GSA-T	DIGI TRANSISTOR		
Q1973	2SA966/OY/-T	SI TRANSISTOR		
Q1974	DTC144GSA-T	DIGI TRANSISTOR		
Q1981	2SA933AS/QR/-T	SI TRANSISTOR		

**IC**

IC1201	TB1227CN	IC		
IC1421	LA7840	IC		
IC1451	TA8859CP	IC		
IC1681	LA4446	IC		
IC1701	M37204MC-D47SP	IC (MICROCOMPUTER)		
IC1702	AT24C08-AV21PS	IC (MEMORY)	(Service)	
IC1703	L78LRO5E-MA	IC (5V REG/RESET)		
IC1801	ET417	IC		
IC1802	ET211	IC		
IC1921	STR-F6655/F9	IC (SW REG)		
IC1941	SE135N	IC		
IC1971	BA17812T	IC (12V REG)		
IC1972	BA09T	IC (9V REG)		
IC1973	BA05T	IC (5V REG)		
IC1974	AN78L05-T	IC (5V REG)		

Symbol No.	Part No.	Part Name	Description	Local
<b>OTHERS</b>				
	CN1002	QGF1220C2-25	FFC/FPC CONNECTOR	
△	CP1942	ICP-N75-Y	IC PROTECTOR	
△	CP1944	ICP-N5-Y	IC PROTECTOR	
△	CP1945	ICP-N75-Y	IC PROTECTOR	
	EF1201	CE42142-222Z	EMI FILTER	
△	FR1551	QRZ9017-4R7	F R	4.7Ω 1/4W J
△	FR1552	QRZ9021-1R5	F R	1.5Ω 1W J
△	FR1553	QRZ9021-1R5	F R	1.5Ω 1W J
	FR1554	QRJ149J-150	C R	15Ω 1/4W J
	K1002	CE41433-001Z	BEADS CORE	
	K1201	QQL05BK-4R7Z	COIL	4.7μH K
	K1421	CE41433-001Z	BEADS CORE	
	K1501	CE41433-001Z	BEADS CORE	
	K1801	CE41433-001Z	BEADS CORE	
	K1802	CE41433-001Z	BEADS CORE	
	K1921	QQR0872-001Y	FERRITE BEADS	
	K1922	QQR0872-001Y	FERRITE BEADS	
	K1923	CE41433-001Z	BEADS CORE	
	K1941	QQR0872-001Y	FERRITE BEADS	
	K1942	CE42050-001Z	CORE SLEEVE	
	K1944	CE42050-001Z	CORE SLEEVE	
	K1947	CE42050-001Z	CORE SLEEVE	
△	LF1902	QQR0527-003	LINE FILTER	
△	PC1921	PC123F2	PHOTO COUPLER	
	TU1001	CEEM574-B02	CABLE TUNER	
	X1301	QAX0354-001	XTAL	
	X1701	CST8.00MTW	C RESONATOR	
	X1801	CE41257-001Z	X TAL	
	Y1201	CE41433-001Z	BEADS CORE	

## INNER PIN P.W. BOARD ASS'Y (SCM-2102A-H2)

Symbol No.	Part No.	Part Name	Description	Local
<b>RESISTOR</b>				
R2513	QRL039J-103	OM R	10kΩ 3W J	

## CAPACITOR

C2505	QETN2EM-225Z	E. CAP	2.2μF 250V M	
C2551	QFZ0119-304	MPP CAP.	0.3μF 200V ±3%	

## DIODE

D2507	RU2-T3	SI DIODE		
-------	--------	----------	--	--

## CRT SOCKET P.W. BOARD ASS'Y (SCM-3302A-H2)

Symbol No.	Part No.	Part Name	Description	Local
------------	----------	-----------	-------------	-------

## RESISTOR

R3101	NRSA02J-101X	CH MG R	100Ω 1/10W J	
R3102	NRSA02J-101X	CH MG R	100Ω 1/10W J	
R3103	NRSA02J-101X	CH MG R	100Ω 1/10W J	
R3107	QRE121J-152Y	C R	1.5kΩ 1/2W J	
R3108	QRE121J-152Y	C R	1.5kΩ 1/2W J	
R3109	QRE121J-152Y	C R	1.5kΩ 1/2W J	
R3110	NRSA02J-181X	CH MG R	180Ω 1/10W J	
R3111	NRSA02J-181X	CH MG R	180Ω 1/10W J	
R3112	NRSA02J-181X	CH MG R	180Ω 1/10W J	
R3113	NRSA02J-470X	CH MG R	47Ω 1/10W J	
R3114	NRSA02J-470X	CH MG R	47Ω 1/10W J	
R3115	NRSA02J-470X	CH MG R	47Ω 1/10W J	
R3116	QRL029J-153	OM R	15kΩ 2W J	
R3117	QRL029J-153	OM R	15kΩ 2W J	
R3118	QRL029J-153	OM R	15kΩ 2W J	
R3119	QRL029J-183	OM R	18kΩ 2W J	
R3120	QRL029J-183	OM R	18kΩ 2W J	
R3121	QRL029J-183	OM R	18kΩ 2W J	
R3125	QRZ0107-102Z	C R	1kΩ 1/2W K	
R3126	QRZ0107-102Z	C R	1kΩ 1/2W K	
R3127	QRZ0107-102Z	C R	1kΩ 1/2W K	
R3128	NRSA02J-182X	CH MG R	1.8kΩ 1/10W J	
R3130	QRG016J-101	OM R	100Ω 1W J	
R3131	NRSA02J-101X	CH MG R	100Ω 1/10W J	
R3132	NRSA02J-101X	CH MG R	100Ω 1/10W J	
R3133	NRSA02J-101X	CH MG R	100Ω 1/10W J	
R3135	QRZ0107-474Z	C R	470kΩ 1/2W K	
R3136	QRE121J-474Y	C R	470kΩ 1/2W J	
R3151	NRSA02J-102X	CH MG R	1kΩ 1/10W J	
R3152	NRSA02J-562X	CH MG R	5.6kΩ 1/10W J	
R3154	NRSA02J-560X	CH MG R	56Ω 1/10W J	
R3301	NRSA02J-OROX	CH MG R	0.0Ω 1/10W J	
R3303	NRSA02J-152X	CH MG R	1.5kΩ 1/10W J	
R3312	NRSA02J-153X	CH MG R	15kΩ 1/10W J	
R3313	NRSA02J-152X	CH MG R	1.5kΩ 1/10W J	
R3314	NRSA02J-680X	CH MG R	68Ω 1/10W J	
R3315	NRSA02J-221X	CH MG R	220Ω 1/10W J	
R3316	NRSA02J-182X	CH MG R	1.8kΩ 1/10W J	
R3317	NRSA02J-470X	CH MG R	47Ω 1/10W J	
R3318	QRJ146J-100X	C R	10Ω 1/4W J	
R3319	NRSA02J-470X	CH MG R	47Ω 1/10W J	
R3320	NRSA02J-122X	CH MG R	1.2kΩ 1/10W J	
R3321	NRSA02J-390X	CH MG R	39Ω 1/10W J	
R3322	QRE121J-2R7Y	C R	2.7Ω 1/2W J	
R3323	QRE121J-563Y	C R	56kΩ 1/2W J	
R3324	QRE121J-563Y	C R	56kΩ 1/2W J	
R3325	NRSA02J-122X	CH MG R	1.2kΩ 1/10W J	
R3326	QRE121J-2R7Y	C R	2.7Ω 1/2W J	
R3327	NRSA02J-390X	CH MG R	39Ω 1/10W J	
R3328	QRE121J-121Y	C R	120Ω 1/2W J	
R3329	QRL029J-391	OM R	390Ω 2W J	
R3332	NRSA02J-823X	CH MG R	82kΩ 1/10W J	
R3404	NRSA02J-102X	CH MG R	1kΩ 1/10W J	

Symbol No.	Part No.	Part Name	Description	Local
------------	----------	-----------	-------------	-------

## RESISTOR

R3405	NRSA02J-153X	CH MG R	15kΩ 1/10W J	
R3407	NRSA02J-102X	CH MG R	1kΩ 1/10W J	
R3408	NRSA02J-222X	CH MG R	2.2kΩ 1/10W J	
R3409	NRSA02J-102X	CH MG R	1kΩ 1/10W J	
R3410	NRSA02J-472X	CH MG R	4.7kΩ 1/10W J	
R3411	NRSA02J-472X	CH MG R	4.7kΩ 1/10W J	
R3412	NRSA02J-102X	CH MG R	1kΩ 1/10W J	
R3413	NRSA02J-123X	CH MG R	12kΩ 1/10W J	
R3414	NRSA02J-152X	CH MG R	1.5kΩ 1/10W J	
R3415	NRSA02J-152X	CH MG R	1.5kΩ 1/10W J	
R3416	NRSA02J-103X	CH MG R	10kΩ 1/10W J	
R3417	NRSA02J-151X	CH MG R	150Ω 1/10W J	
R3418	NRSA02J-151X	CH MG R	150Ω 1/10W J	
R3419	NRSA02J-151X	CH MG R	150Ω 1/10W J	
R3420	NRSA02J-103X	CH MG R	10kΩ 1/10W J	
R3421	NRSA02J-682X	CH MG R	6.8kΩ 1/10W J	
R3422	NRSA02J-682X	CH MG R	6.8kΩ 1/10W J	
R3423	NRSA02J-682X	CH MG R	6.8kΩ 1/10W J	

## CAPACITOR

C3101	NCS21HJ-391X	CH C CAP.	390pF 50V J	
C3102	NCS21HJ-391X	CH C CAP.	390pF 50V J	
C3103	NCS21HJ-391X	CH C CAP.	390pF 50V J	
C3104	QETN1CM-107Z	E CAP.	100μF 16V M	
C3105	QETN1CM-107Z	E CAP.	100μF 16V M	
C3106	QFV71HJ-104Z	TF CAP.	0.1μF 50V J	
C3107	QETN1HM-106Z	E CAP.	10μF 50V M	
C3112	QCZ0131-47Z	C CAP.	4700pF 2kV K	
C3113	QCZ0121-10Z	C CAP.	1000pF 3kV Z	
C3114	QETN2EM-33Z	E CAP.	33μF 250V M	
C3301	QETN1HM-106Z	E CAP.	10μF 50V M	
C3302	NDC21HJ-820X	CH C CAP.	82pF 50V J	
C3304	QFLC1HJ-103Z	M CAP.	0.01μF 50V J	
C3305	QETN1HM-335Z	E CAP.	3.3μF 50V M	
C3306	QETN1CM-107Z	E CAP.	100μF 16V M	
C3307	QCS31HJ-5R0Z	C CAP.	5pF 50V J	
C3308	QETN2CM-106Z	E CAP.	10μF 160V M	
C3309	QCB32HK-472Z	C CAP.	4700pF 500V K	
C3310	QETN2CM-106Z	E CAP.	10μF 160V M	
C3312	QCB32HK-472Z	C CAP.	4700pF 500V K	
C3314	QETN1CM-107Z	E CAP.	100μF 16V M	
C3315	QCS32HJ-680Z	C CAP.	68pF 500V J	
C3316	QETN1CM-107Z	E CAP.	100μF 16V M	
C3317	QETN1CM-337Z	E CAP.	330μF 16V M	
C3411	NDC21HJ-390X	CH C CAP.	39pF 50V J	

## COIL

K3301	CE41492-001Z	CHOKE COIL		
K3302	CE41492-001Z	CHOKE COIL		
K3303	CE41492-001Z	CHOKE COIL		
K3304	CE41492-001Z	CHOKE COIL		

## DIODE

D3151	MA111-X	CHIP DIODE		
D3153	MA111-X	CHIP DIODE		
D3154	MA111-X	CHIP DIODE		
D3155	MA111-X	CHIP DIODE		
D3156	MA3056/H/-X	CHIP ZENER DIODE		
D3157	MA3051/L/-X	CHIP ZENER DIODE		
D3158	MA111-X	CHIP DIODE		
D3159	MA3051/H/-X	CHIP ZENER DIODE		
D3160	MA111-X	CHIP DIODE		
D3161	MA3051/H/-X	CHIP ZENER DIODE		
D3162	MA111-X	CHIP DIODE		
D3163	MA3150/M/-X	CHIP ZENER DIODE		
D3302	RH1S-T3	SI DIODE		
D3303	RH1S-T3	SI DIODE		
D3304	MA111-X	CHIP DIODE		
D3305	MA111-X	CHIP DIODE		

Symbol No.	Part No.	Part Name	Description	Local
<b>DIODE</b>				
D3401	MA111-X	CHIP DIODE		
D3402	MA111-X	CHIP DIODE		
D3403	MA111-X	CHIP DIODE		
D3405	MA3150/M/-X	CHIP ZENER DIODE		
D3406	MA111-X	CHIP DIODE		
D3409	MA111-X	CHIP DIODE		
D3410	MA111-X	CHIP DIODE		
D3411	MA111-X	CHIP DIODE		
D3412	MA111-X	CHIP DIODE		
D3413	MA111-X	CHIP DIODE		
D3414	MA111-X	CHIP DIODE		

**TRANSISTOR**

Q3101	2SC1740S/QR/-T	SI TRANSISTOR		
Q3102	2SC1740S/QR/-T	SI TRANSISTOR		
Q3103	2SC1740S/QR/-T	SI TRANSISTOR		
Q3104	2SC5147/CDE/F43	POWER TRANSISTOR		
Q3105	2SC5147/CDE/F43	POWER TRANSISTOR		
Q3106	2SC5147/CDE/F43	POWER TRANSISTOR		
Q3151	2SA933AS/QR/-T	SI TRANSISTOR		
Q3152	2SC1740S/QR/-T	SI TRANSISTOR		
Q3304	2SC1740S/QR/-T	SI TRANSISTOR		
Q3305	2SC1740S/QR/-T	SI TRANSISTOR		
Q3306	2SA933AS/QR/-T	SI TRANSISTOR		
Q3307	2SA1837	POWER TRANSISTOR		
Q3308	2SC4793	POWER TRANSISTOR		
Q3404	2SC1740S/QR/-T	SI TRANSISTOR		
Q3405	2SC1740S/QR/-T	SI TRANSISTOR		
Q3406	2SC2412K/QR/-X	CHIP TRANSISTOR		
Q3407	2SC2412K/QR/-X	CHIP TRANSISTOR		

**OTHERS**

△ FR3330	QRZ9021-561	F R	560Ω	1W	J
△ SK3001	CE42446-001	CRT SOCKET			

**FRONT CONTROL P.W. BOARD ASS'Y  
(SCM-8302A-H2)**

Symbol No.	Part No.	Part Name	Description	Local
<b>RESISTOR</b>				
R8001	NRSA02J-391X	CH MG R	390Ω 1/10W	J
R8002	NRSA02J-821X	CH MG R	820Ω 1/10W	J
R8003	NRSA02J-682X	CH MG R	6.8kΩ 1/10W	J
R8004	NRSA02J-103X	CH MG R	10kΩ 1/10W	J
R8005	NRSA02J-332X	CH MG R	3.3kΩ 1/10W	J
R8006	NRSA02J-682X	CH MG R	6.8kΩ 1/10W	J
R8007	NRSA02J-103X	CH MG R	10kΩ 1/10W	J
R8008	NRSA02J-332X	CH MG R	3.3kΩ 1/10W	J

R8011	NRSA02J-222X	CH MG R	2.2kΩ 1/10W	J
R8012	NRSA02J-562X	CH MG R	5.6kΩ 1/10W	J
R8013	NRSA02J-562X	CH MG R	5.6kΩ 1/10W	J
R8014	NRSA02J-472X	CH MG R	4.7kΩ 1/10W	J
R8015	NRSA02J-224X	CH MG R	220kΩ 1/10W	J
R8016	NRSA02J-102X	CH MG R	1kΩ 1/10W	J
R8018	QRK126J-271X	C R	270Ω 1/2W	J
R8019	QRK126J-271X	C R	270Ω 1/2W	J

R8020	NRSA02J-102X	CH MG R	1kΩ 1/10W	J
R8021	NRSA02J-471X	CH MG R	470Ω 1/10W	J
R8022	NRSA02J-681X	CH MG R	680Ω 1/10W	J
R8401	NRSA02J-221X	CH MG R	220Ω 1/10W	J
R8402	NRSA02J-820X	CH MG R	82Ω 1/10W	J
R8403	NRSA02J-102X	CH MG R	1kΩ 1/10W	J
R8404	NRSA02J-224X	CH MG R	220kΩ 1/10W	J
R8405	NRSA02J-102X	CH MG R	1kΩ 1/10W	J

R8406	NRSA02J-224X	CH MG R	220kΩ 1/10W	J
R8901	QRZ0202-121	UNF R	120Ω 15W	J

**CAPACITOR**

C8010	QETN1HM-106Z	E CAP.	10μF	50V	M
C8015	QETN1EM-476Z	E CAP.	47μF	25V	M
C8016	NCF21EZ-104X	CH C CAP.	0.1μF	25V	Z
C8403	QETN1HM-106Z	E CAP.	10μF	50V	M
C8404	QETN1HM-105Z	E CAP.	1μF	50V	M
C8405	QETN1HM-105Z	E CAP.	1μF	50V	M
△ C8901	QFZ9040-104	MF CAP.	0.1μF	AC275V	M

**DIODE**

D8001	SLR-342DU-T16	LED (ORG)		
D8002	SLR-342VR-T16	LED (RED)		
D8004	SPR-39MVWF	LED 3 (G+R)		
D8005	P1241-04	CDS		
D8006	MA111-X	CHIP DIODE		
D8007	MA111-X	CHIP DIODE		
D8402	MA3100/M/-X	CHIP ZENER DIODE		
D8403	MA3100/M/-X	CHIP ZENER DIODE		
D8405	MA3100/M/-X	CHIP ZENER DIODE		

**TRANSISTOR**

Q8001	DTC124EKA-X	DIGI TRANSISTOR		
Q8002	DTA124EKA-X	DIGI TRANSISTOR		
Q8003	DTA124EKA-X	DIGI TRANSISTOR		
Q8005	2SA1162/YG/-X	CHIP TRANSISTOR		
Q8006	DTC124EKA-X	DIGI TRANSISTOR		
Q8007	DTC124EKA-X	DIGI TRANSISTOR		

**IC**

IC8001	GP1U281Q	IC		
--------	----------	----	--	--

**OTHERS**

CN8002	CM35921-005-H	CDS HOLDER		
	CM36626-B01-H	LED HOLDER		
	CEMG002-001Z	FUSE CLIP (x3)		
	QGF1220C2-25	FFC/FPC CONNECTOR		
△ F8901	QMF51E2-3R15J4	FUSE	3.15A	
J8001	QMS3004-C01	HEADPHONE JACK		
J8003	QNN0281-003	PIN JACK		

Symbol No.	Part No.	Part Name	Description	Local
<b>OTHERS</b>				
J8004	QNN0282-002	PIN JACK		
J8005	QNN0282-001	PIN JACK		
△ LF8901	QQR1035-002	LINE FILTER		
S8002	QSW0619-003Z	PUSH SWITCH	CH+	
S8003	QSW0619-003Z	PUSH SWITCH	TV/VIDEO	
S8004	QSW0619-003Z	PUSH SWITCH	CH-	
S8005	QSW0619-003Z	PUSH SWITCH	VOL+	
S8006	QSW0619-003Z	PUSH SWITCH	MENU	
S8007	QSW0619-003Z	PUSH SWITCH	VOL-	
△ S8901	QSP4K21-C01	PUSH SWITCH	POWER	
TH8901	CEKP002-003	W POSISTOR		
TH8902	CEKP002-003	W POSISTOR		
△ VA8901	ERZV10V621CS	VARIATOR		

**ALC P.W. BOARD ASS'Y (SCM0A105A-H2)**

Symbol No.	Part No.	Part Name	Description	Local
<b>RESISTOR</b>				
R0636	NRSA02J-822X	CH MG R	8.2kΩ 1/10W J	
R0637	NRSA02J-822X	CH MG R	8.2kΩ 1/10W J	
R0638	NRSA02J-225X	CH MG R	2.2MΩ 1/10W J	
R0639	NRSA02J-821X	CH MG R	820Ω 1/10W J	
R0640	NRSA02J-822X	CH MG R	8.2kΩ 1/10W J	
R0656	NRSA02J-152X	CH MG R	1.5kΩ 1/10W J	
R0657	NRSA02J-152X	CH MG R	1.5kΩ 1/10W J	
R0658	NRSA02J-152X	CH MG R	1.5kΩ 1/10W J	
R0659	NRSA02J-152X	CH MG R	1.5kΩ 1/10W J	
R0660	NRSA02J-183X	CH MG R	18kΩ 1/10W J	
R0661	NRSA02J-122X	CH MG R	1.2kΩ 1/10W J	
R0662	NRSA02J-122X	CH MG R	1.2kΩ 1/10W J	

**CAPACITOR**

C0641	QENC1HM-475Z	BP E CAP.	4.7μF 50V M	
C0642	QENC1HM-475Z	BP E CAP.	4.7μF 50V M	
C0643	QETN1HM-475Z	E CAP.	4.7μF 50V M	
C0644	QETN1HM-106Z	E CAP.	10μF 50V M	
C0645	QETN1HM-106Z	E CAP.	10μF 50V M	
C0646	NCB21HK-103X	CH C CAP.	0.01μF 50V K	
C0647	QETN1CM-107Z	E CAP.	100μF 16V M	
C0648	QENC1HM-475Z	BP E CAP.	4.7μF 50V M	
C0649	QENC1HM-475Z	BP E CAP.	4.7μF 50V M	
C0660	QETN1HM-106Z	E CAP.	10μF 50V M	
C0664	NCB21HK-393X	CH C CAP.	0.039μF 50V K	
C0665	NCB21HK-393X	CH C CAP.	0.039μF 50V K	
C0666	QETN1CM-106Z	E CAP.	10μF 16V M	
C0667	QETN1CM-106Z	E CAP.	10μF 16V M	

**IC**

IC0604	AN5285K	IC		
--------	---------	----	--	--

**IF P.W. BOARD ASS'Y (SCM0F301A-H2)**

Symbol No.	Part No.	Part Name	Description	Local
<b>RESISTOR</b>				
R0101	NRSA02J-682X	CH MG R	6.8kΩ 1/10W J	
R0102	NRSA02J-181X	CH MG R	180Ω 1/10W J	
R0103	NRSA02J-222X	CH MG R	2.2kΩ 1/10W J	
R0104	NRSA02J-122X	CH MG R	1.2kΩ 1/10W J	
R0105	NRSA02J-680X	CH MG R	68Ω 1/10W J	
R0107	NRSA02J-0ROX	CH MG R	0.0Ω 1/10W J	
R0108	NRSA02J-272X	CH MG R	2.7kΩ 1/10W J	
R0109	NRSA02J-101X	CH MG R	100Ω 1/10W J	
R0110	NRSA02J-103X	CH MG R	10kΩ 1/10W J	
R0111	NRSA02J-561X	CH MG R	560Ω 1/10W J	
R0112	NRSA02J-561X	CH MG R	560Ω 1/10W J	
R0113	NRSA02J-0ROX	CH MG R	0.0Ω 1/10W J	
R0114	NRSA02J-104X	CH MG R	100kΩ 1/10W J	
R0115	NRSA02J-272X	CH MG R	2.7kΩ 1/10W J	
R0116	NRSA02J-273X	CH MG R	27kΩ 1/10W J	
R0117	NRSA02J-224X	CH MG R	220kΩ 1/10W J	
R0118	NRSA02J-822X	CH MG R	8.2kΩ 1/10W J	
R0121	NRSA02J-151X	CH MG R	150Ω 1/10W J	
R0123	NRSA02J-102X	CH MG R	1kΩ 1/10W J	
R0124	NRSA02J-103X	CH MG R	10kΩ 1/10W J	
R0125	NRSA02J-181X	CH MG R	180Ω 1/10W J	
R0126	NRSA02J-681X	CH MG R	680Ω 1/10W J	
R0127	NRSA02J-181X	CH MG R	180Ω 1/10W J	
R0128	NRSA02J-102X	CH MG R	1kΩ 1/10W J	
R0129	NRSA02J-221X	CH MG R	220Ω 1/10W J	
R0130	NRSA02J-331X	CH MG R	330Ω 1/10W J	
R0131	NRSA02J-331X	CH MG R	330Ω 1/10W J	
R0135	NRSA02J-224X	CH MG R	220kΩ 1/10W J	
R0603	NRSA02J-103X	CH MG R	10kΩ 1/10W J	
R0619	NRSA02J-102X	CH MG R	1kΩ 1/10W J	

**CAPACITOR**

C0101	NCB21HK-472X	CH C CAP.	4700pF 50V K	
C0102	NCB21HK-472X	CH C CAP.	4700pF 50V K	
C0103	NCB21HK-472X	CH C CAP.	4700pF 50V K	
C0104	NCB21HK-472X	CH C CAP.	4700pF 50V K	
C0105	NCB21HK-472X	CH C CAP.	4700pF 50V K	
C0106	NCB21HK-472X	CH C CAP.	4700pF 50V K	
C0107	NCB21HK-472X	CH C CAP.	4700pF 50V K	
C0108	NCB21HK-103X	CH C CAP.	0.01μF 50V K	
C0110	NCB21HK-103X	CH C CAP.	0.01μF 50V K	
C0111	NCB21HK-103X	CH C CAP.	0.01μF 50V K	
C0112	NCB21EK-104X	CH C CAP.	0.1μF 25V K	
C0114	QETN1HM-474Z	E CAP.	0.47μF 50V M	
C0116	QETN1HM-474Z	E CAP.	0.47μF 50V M	
C0118	NCB21HK-103X	CH C CAP.	0.01μF 50V K	
C0119	QETN1EM-476Z	E CAP.	47μF 25V M	
C0120	QETN1EM-476Z	E CAP.	47μF 25V M	
C0121	NCB21HK-103X	CH C CAP.	0.01μF 50V K	
C0122	QETN1EM-476Z	E CAP.	47μF 25V M	
C0123	NCB21HK-103X	CH C CAP.	0.01μF 50V K	
C0125	NCB21HK-103X	CH C CAP.	0.01μF 50V K	
C0126	NCB21HK-103X	CH C CAP.	0.01μF 50V K	
C0127	NCB21HK-103X	CH C CAP.	0.01μF 50V K	
C0128	NCB21HK-103X	CH C CAP.	0.01μF 50V K	
C0129	NCB21HK-103X	CH C CAP.	0.01μF 50V K	

**TRANSFORMER**

T0101	CEL7001-303J3	CW TRANSF.		
-------	---------------	------------	--	--

**COIL**

L0101	QQL2014-2R2	COIL	2.2μH	
L0104	QQL244K-120Z	COIL	12μH	K
L0105	QQL244K-8R2Z	COIL	8.2μH	K
L0106	QQL244K-8R2Z	COIL	8.2μH	K

**DIODE**

D0101	1S585-T2	SI DIODE		
D0102	1S585-T2	SI DIODE		

Symbol No.	Part No.	Part Name	Description	Local
------------	----------	-----------	-------------	-------

**DIODE**

D0104	MA111-X	CHIP DIODE		
-------	---------	------------	--	--

**TRANSISTOR**

Q0101	2SC5083/L-P/-T	SI TRANSISTOR		
Q0102	DTC124EKA-X	DIGI TRANSISTOR		
Q0103	2SC2412K/QR/-X	CHIP TRANSISTOR		
Q0104	2SA1037AK/QR/-X	SI TRANSISTOR		
Q0105	DTC124EKA-X	DIGI TRANSISTOR		
Q0106	DTC124EKA-X	DIGI TRANSISTOR		
Q0107	2SC2412K/QR/-X	CHIP TRANSISTOR		
Q0108	2SA1037AK/QR/-X	SI TRANSISTOR		
Q0109	2SA1037AK/QR/-X	SI TRANSISTOR		
Q0110	DTC124EKA-X	DIGI TRANSISTOR		
Q0606	2SA1037AK/QR/-X	SI TRANSISTOR		
Q0607	2SA1037AK/QR/-X	SI TRANSISTOR		

**IC**

IC0101	M52342SP	IC		
--------	----------	----	--	--

**OTHERS**

CF0101	QAX0472-001	CERAMIC TRAP		
CF0102	QAX0358-001	CERAMIC TRAP		
CF0103	QAX0339-001	CERAMIC TRAP		
CF0104	TPS5.5MW	C TRAP		
CF0105	TPS6.5MB	CERAMIC TRAP		
CF0106	TPSH6.0MB	CERAMIC TRAP		
SF0101	QAX0323-001	SAW FILTER		

**AV SW P.W. BOARD ASS'Y (SCM0Y501A-H2)**

Symbol No.	Part No.	Part Name	Description	Local
------------	----------	-----------	-------------	-------

**RESISTOR**

R0101	NRSA02J-472X	CH MG R	4.7kΩ 1/10W	J
R0102	NRSA02J-122X	CH MG R	1.2kΩ 1/10W	J
R0104	NRSA02J-331X	CH MG R	330Ω 1/10W	J
R0105	NRSA02J-0R0X	CH MG R	0.0Ω 1/10W	J
R0106	NRSA02J-472X	CH MG R	4.7kΩ 1/10W	J
R0107	NRSA02J-0R0X	CH MG R	0.0Ω 1/10W	J
R0108	NRSA02J-101X	CH MG R	100Ω 1/10W	J
R0109	NRSA02J-223X	CH MG R	22kΩ 1/10W	J
R0110	NRSA02J-223X	CH MG R	22kΩ 1/10W	J
R0111	NRSA02J-222X	CH MG R	2.2kΩ 1/10W	J
R0112	NRSA02J-222X	CH MG R	2.2kΩ 1/10W	J
R0113	NRSA02J-223X	CH MG R	22kΩ 1/10W	J
R0114	NRSA02J-223X	CH MG R	22kΩ 1/10W	J
R0115	NRSA02J-222X	CH MG R	2.2kΩ 1/10W	J
R0117	NRSA02J-153X	CH MG R	15kΩ 1/10W	J
R0119	NRSA02J-223X	CH MG R	22kΩ 1/10W	J
R0120	NRSA02J-0R0X	CH MG R	0.0Ω 1/10W	J
R0121	NRSA02J-223X	CH MG R	22kΩ 1/10W	J
R0122	NRSA02J-223X	CH MG R	22kΩ 1/10W	J
R0123	NRSA02J-101X	CH MG R	100Ω 1/10W	J
R0124	NRSA02J-102X	CH MG R	1kΩ 1/10W	J
R0125	NRSA02J-681X	CH MG R	680Ω 1/10W	J
R0126	NRSA02J-102X	CH MG R	1kΩ 1/10W	J
R0127	NRSA02J-151X	CH MG R	150Ω 1/10W	J
R0129	NRSA02J-334X	CH MG R	330kΩ 1/10W	J
R0130	NRSA02J-824X	CH MG R	820kΩ 1/10W	J
R0131	NRSA02J-223X	CH MG R	22kΩ 1/10W	J
R0132	NRSA02J-102X	CH MG R	1kΩ 1/10W	J
R0133	NRSA02J-822X	CH MG R	8.2kΩ 1/10W	J
R0134	NRSA02J-102X	CH MG R	1kΩ 1/10W	J
R0135	NRSA02J-102X	CH MG R	1kΩ 1/10W	J
R0136	NRSA02J-152X	CH MG R	1.5kΩ 1/10W	J
R0151	NRSA02J-222X	CH MG R	2.2kΩ 1/10W	J
R0152	NRSA02J-271X	CH MG R	270Ω 1/10W	J
R0153	NRSA02J-271X	CH MG R	270Ω 1/10W	J
R0154	NRSA02J-271X	CH MG R	270Ω 1/10W	J
R0301	NRSA02J-561X	CH MG R	560Ω 1/10W	J
R0302	NRSA02J-821X	CH MG R	820Ω 1/10W	J
R0303	NRSA02J-101X	CH MG R	100Ω 1/10W	J
R0305	NRSA02J-102X	CH MG R	1kΩ 1/10W	J
R0308	NRSA02J-681X	CH MG R	680Ω 1/10W	J
R0309	NRSA02J-562X	CH MG R	5.6kΩ 1/10W	J
R0310	NRSA02J-102X	CH MG R	1kΩ 1/10W	J
R0312	NRSA02J-102X	CH MG R	1kΩ 1/10W	J
R0313	NRSA02J-151X	CH MG R	150Ω 1/10W	J
R0401	NRSA02J-221X	CH MG R	220Ω 1/10W	J
R0402	NRSA02J-820X	CH MG R	82Ω 1/10W	J
R0403	NRSA02J-102X	CH MG R	1kΩ 1/10W	J
R0404	NRSA02J-224X	CH MG R	220kΩ 1/10W	J
R0405	NRSA02J-102X	CH MG R	1kΩ 1/10W	J
R0406	NRSA02J-224X	CH MG R	220kΩ 1/10W	J
R0407	NRSA02J-221X	CH MG R	220Ω 1/10W	J
R0408	NRSA02J-563X	CH MG R	56kΩ 1/10W	J
R0409	NRSA02J-820X	CH MG R	82Ω 1/10W	J
R0410	NRSA02J-820X	CH MG R	82Ω 1/10W	J
R0411	NRSA02J-221X	CH MG R	220Ω 1/10W	J
R0412	NRSA02J-563X	CH MG R	56kΩ 1/10W	J
R0413	NRSA02J-222X	CH MG R	2.2kΩ 1/10W	J
R0414	NRSA02J-221X	CH MG R	220Ω 1/10W	J
R0415	NRSA02J-820X	CH MG R	82Ω 1/10W	J
R0416	NRSA02J-102X	CH MG R	1kΩ 1/10W	J
R0417	NRSA02J-224X	CH MG R	220kΩ 1/10W	J
R0418	NRSA02J-102X	CH MG R	1kΩ 1/10W	J
R0419	NRSA02J-224X	CH MG R	220kΩ 1/10W	J
R0420	NRSA02J-471X	CH MG R	470Ω 1/10W	J
R0421	NRSA02J-680X	CH MG R	68Ω 1/10W	J
R0422	NRSA02J-222X	CH MG R	2.2kΩ 1/10W	J
R0423	NRSA02J-391X	CH MG R	390Ω 1/10W	J
R0424	NRSA02J-391X	CH MG R	390Ω 1/10W	J
R0425	NRSA02J-473X	CH MG R	47kΩ 1/10W	J
R0426	NRSA02J-391X	CH MG R	390Ω 1/10W	J
R0427	NRSA02J-391X	CH MG R	390Ω 1/10W	J
R0428	NRSA02J-473X	CH MG R	47kΩ 1/10W	J
R0429	NRSA02J-0R0X	CH MG R	0.0Ω 1/10W	J
R0430	NRSA02J-0R0X	CH MG R	0.0Ω 1/10W	J

Symbol No.	Part No.	Part Name	Description	Local
<b>RESISTOR</b>				
R0431	NRSA02J-563X	CH MG R	56kΩ 1/10W J	
R0432	NRSA02J-104X	CH MG R	100kΩ 1/10W J	
R0433	NRSA02J-101X	CH MG R	100Ω 1/10W J	
R0434	NRSA02J-102X	CH MG R	1kΩ 1/10W J	
R0435	NRSA02J-221X	CH MG R	220Ω 1/10W J	
R0436	NRSA02J-101X	CH MG R	100Ω 1/10W J	
R0437	NRSA02J-471X	CH MG R	470Ω 1/10W J	
R0438	NRSA02J-561X	CH MG R	560Ω 1/10W J	
R0439	NRSA02J-472X	CH MG R	4.7kΩ 1/10W J	
R0440	NRSA02J-472X	CH MG R	4.7kΩ 1/10W J	
R0445	NRSA02J-102X	CH MG R	1kΩ 1/10W J	
R0446	NRSA02J-471X	CH MG R	470Ω 1/10W J	
R0447	NRSA02J-101X	CH MG R	100Ω 1/10W J	
R0448	NRSA02J-101X	CH MG R	100Ω 1/10W J	
R0451	NRSA02J-102X	CH MG R	1kΩ 1/10W J	
R0459	NRSA02J-101X	CH MG R	100Ω 1/10W J	
R0460	NRSA02J-101X	CH MG R	100Ω 1/10W J	
R0463	NRSA02J-472X	CH MG R	4.7kΩ 1/10W J	
R0466	NRSA02J-101X	CH MG R	100Ω 1/10W J	
R0501	QRG01GJ-181	OM R	180Ω 1W J	
R0512	NRSA02J-101X	CH MG R	100Ω 1/10W J	
R0513	NRSA02J-101X	CH MG R	100Ω 1/10W J	
R0601	NRSA02J-105X	CH MG R	1MΩ 1/10W J	
R0602	NRSA02J-154X	CH MG R	150kΩ 1/10W J	
R0603	NRSA02J-822X	CH MG R	8.2kΩ 1/10W J	
R0604	NRSA02J-182X	CH MG R	1.8kΩ 1/10W J	
R0611	NRSA02J-102X	CH MG R	1kΩ 1/10W J	
R0612	NRSA02J-562X	CH MG R	5.6kΩ 1/10W J	
R0613	NRSA02J-102X	CH MG R	1kΩ 1/10W J	
R0614	NRSA02J-562X	CH MG R	5.6kΩ 1/10W J	
R0615	NRSA02J-562X	CH MG R	5.6kΩ 1/10W J	
R0616	NRSA02J-562X	CH MG R	5.6kΩ 1/10W J	
R0617	NRSA02J-101X	CH MG R	100Ω 1/10W J	
R0618	NRSA02J-101X	CH MG R	100Ω 1/10W J	
R0620	NRSA02J-153X	CH MG R	15kΩ 1/10W J	
R0621	NRSA02J-104X	CH MG R	100kΩ 1/10W J	
R0622	NRSA02J-273X	CH MG R	27kΩ 1/10W J	
R0623	NRSA02J-183X	CH MG R	18kΩ 1/10W J	
R0624	NRSA02J-222X	CH MG R	2.2kΩ 1/10W J	
R0625	NRSA02J-822X	CH MG R	8.2kΩ 1/10W J	
R0626	NRSA02J-822X	CH MG R	8.2kΩ 1/10W J	
R0627	NRSA02J-222X	CH MG R	2.2kΩ 1/10W J	
R0628	NRSA02J-183X	CH MG R	18kΩ 1/10W J	
R0629	NRSA02J-273X	CH MG R	27kΩ 1/10W J	
R0630	NRSA02J-104X	CH MG R	100kΩ 1/10W J	
R0631	NRSA02J-153X	CH MG R	15kΩ 1/10W J	
R0633	NRSA02J-472X	CH MG R	4.7kΩ 1/10W J	
R0634	NRSA02J-472X	CH MG R	4.7kΩ 1/10W J	
R0640	NRSA02J-102X	CH MG R	1kΩ 1/10W J	
R0641	NRSA02J-102X	CH MG R	1kΩ 1/10W J	
<b>CAPACITOR</b>				
C0101	NCB21HK-103X	CH C CAP.	0.01μF 50V K	
C0103	NCB21HK-472X	CH C CAP.	4700pF 50V K	
C0104	NCB21HK-472X	CH C CAP.	4700pF 50V K	
C0105	NCB21HK-103X	CH C CAP.	0.01μF 50V K	
C0106	NCB21HK-103X	CH C CAP.	0.01μF 50V K	
C0107	NCB21HK-103X	CH C CAP.	0.01μF 50V K	
C0108	NCB21HK-103X	CH C CAP.	0.01μF 50V K	
C0109	NCB21HK-103X	CH C CAP.	0.01μF 50V K	
C0110	NCB21HK-331X	CH C CAP.	330pF 50V K	
C0111	QETN1HM-474Z	E CAP.	0.47μF 50V M	
C0112	NCB21HK-103X	CH C CAP.	0.01μF 50V K	
C0113	QETN1CM-336Z	E CAP.	33μF 16V M	
C0114	NCB21HK-103X	CH C CAP.	0.01μF 50V K	
C0115	NCB21HK-103X	CH C CAP.	0.01μF 50V K	
C0116	QCB31HK-103Z	C CAP.	0.01μF 50V K	
C0117	QCB31HK-103Z	C CAP.	0.01μF 50V K	
C0118	NDC21HJ-820X	CH C CAP.	82pF 50V J	
C0119	NDC21HJ-470X	CH C CAP.	47pF 50V J	
C0120	NDC21HJ-180X	CH C CAP.	18pF 50V J	
C0121	QETN1HM-474Z	E CAP.	0.47μF 50V M	
C0122	NDC21HJ-330X	CH C CAP.	33pF 50V J	
C0123	NCB21HK-103X	CH C CAP.	0.01μF 50V K	

Symbol No.	Part No.	Part Name	Description	Local
<b>CAPACITOR</b>				
C0124	NCB21HK-682X	CH C CAP.	6800pF 50V K	
C0126	NCB21HK-103X	CH C CAP.	0.01μF 50V K	
C0151	NDC21HJ-680X	CH C CAP.	68pF 50V J	
C0152	NDC21HJ-470X	CH C CAP.	47pF 50V J	
C0153	NDC21HJ-101X	CH C CAP.	100pF 50V J	
C0154	NDC21HJ-270X	CH C CAP.	27pF 50V J	
C0301	NDC21HJ-270X	CH C CAP.	27pF 50V J	
C0302	QENC1EM-106Z	BP E CAP.	10μF 25V M	
C0303	QETN1CM-107Z	E CAP.	100μF 16V M	
C0305	NDC21HJ-680X	CH C CAP.	68pF 50V J	
C0308	NCB21HK-103X	CH C CAP.	0.01μF 50V K	
C0311	QENC1EM-106Z	BP E CAP.	10μF 25V M	
C0312	QENC1EM-106Z	BP E CAP.	10μF 25V M	
C0313	NCB21HK-103X	CH C CAP.	0.01μF 50V K	
C0314	QETN1HM-106Z	E CAP.	10μF 50V M	
C0315	NCB21HK-103X	CH C CAP.	0.01μF 50V K	
C0401	QENC1EM-106Z	BP E CAP.	10μF 25V M	
C0402	QENC1HM-105Z	BP E CAP.	1μF 50V M	
C0403	QENC1HM-105Z	BP E CAP.	1μF 50V M	
C0404	QENC1EM-106Z	BP E CAP.	10μF 25V M	
C0405	NCB21EK-104X	CH C CAP.	0.1μF 25V K	
C0406	QENC1EM-106Z	BP E CAP.	10μF 25V M	
C0407	QENC1HM-105Z	BP E CAP.	1μF 50V M	
C0408	QENC1HM-105Z	BP E CAP.	1μF 50V M	
C0409	QETN1CM-227Z	E CAP.	220μF 16V M	
C0410	QENC1HM-105Z	BP E CAP.	1μF 50V M	
C0411	QENC1HM-105Z	BP E CAP.	1μF 50V M	
C0412	NDC21HJ-101X	CH C CAP.	100pF 50V J	
C0413	NDC21HJ-101X	CH C CAP.	100pF 50V J	
C0422	QETN1HM-226Z	E CAP.	22μF 50V M	
C0423	QENC1EM-106Z	BP E CAP.	10μF 25V M	
C0424	QENC1EM-106Z	BP E CAP.	10μF 25V M	
C0425	NCB21HK-103X	CH C CAP.	0.01μF 50V K	
C0426	NCB21HK-103X	CH C CAP.	0.01μF 50V K	
C0427	NCB21HK-103X	CH C CAP.	0.01μF 50V K	
C0428	QENC1EM-106Z	BP E CAP.	10μF 25V M	
C0430	NCB21HK-103X	CH C CAP.	0.01μF 50V K	
C0431	QETN1CM-107Z	E CAP.	100μF 16V M	
C0436	NDC21HJ-270X	CH C CAP.	27pF 50V J	
C0448	QETN1HM-106Z	E CAP.	10μF 50V M	
C0501	NDC21HJ-2R0X	CH C CAP.	2.0pF 50V J	
C0502	NDC21HJ-2R0X	CH C CAP.	2.0pF 50V J	
C0503	NCB21HK-103X	CH C CAP.	0.01μF 50V K	
C0504	NCB21HK-103X	CH C CAP.	0.01μF 50V K	
C0505	QETN1HM-106Z	E CAP.	10μF 50V M	
C0506	QETN1HM-106Z	E CAP.	10μF 50V M	
C0507	NCF21HZ-104X	CH C CAP.	0.1μF 50V Z	
C0508	NCF21HZ-104X	CH C CAP.	0.1μF 50V Z	
C0509	QETN1HM-106Z	E CAP.	10μF 50V M	
C0510	NCF21HZ-104X	CH C CAP.	0.1μF 50V Z	
C0511	NCS21HJ-471X	CH C CAP.	470pF 50V J	
C0512	NCS21HJ-471X	CH C CAP.	470pF 50V J	
C0513	NCF21HZ-104X	CH C CAP.	0.1μF 50V Z	
C0514	QETN1HM-106Z	E CAP.	10μF 50V M	
C0515	QETN1HM-106Z	E CAP.	10μF 50V M	
C0516	NCF21HZ-104X	CH C CAP.	0.1μF 50V Z	
C0517	QETN1HM-106Z	E CAP.	10μF 50V M	
C0518	QETN1HM-106Z	E CAP.	10μF 50V M	
C0521	NCF21HZ-104X	CH C CAP.	0.1μF 50V Z	
C0522	NCB21HK-102X	CH C CAP.	1000pF 50V K	
C0523	NCB21HK-102X	CH C CAP.	1000pF 50V K	
C0524	NCS21HJ-391X	CH C CAP.	390pF 50V J	
C0525	NCS21HJ-391X	CH C CAP.	390pF 50V J	
C0526	NDC21HJ-221X	CH C CAP.	220pF 50V J	
C0527	NDC21HJ-221X	CH C CAP.	220pF 50V J	
C0528	NCB21HK-103X	CH C CAP.	0.01μF 50V K	
C0529	NCB21HK-103X	CH C CAP.	0.01μF 50V K	
C0530	NCB21HK-103X	CH C CAP.	0.01μF 50V K	
C0531	NCB21HK-103X	CH C CAP.	0.01μF 50V K	
C0532	NCB21HK-103X	CH C CAP.	0.01μF 50V K	
C0533	NCB21HK-103X	CH C CAP.	0.01μF 50V K	
C0534	NCB21HK-103X	CH C CAP.	0.01μF 50V K	
C0535	NCB21HK-103X	CH C CAP.	0.01μF 50V K	
C0536	NCB21HK-102X	CH C CAP.	1000pF 50V K	
C0537	NCB21HK-103X	CH C CAP.	0.01μF 50V K	
C0539	NCB21HK-103X	CH C CAP.	0.01μF 50V K	

Symbol No.	Part No.	Part Name	Description	Local
<b>CAPACITOR</b>				
C0540	NCB21HK-103X	CH C CAP.	0.01μF 50V	K
C0541	QETN1CM-107Z	E CAP.	100μF 16V	M
C0542	NCB21HK-103X	CH C CAP.	0.01μF 50V	K
C0543	NCB21HK-103X	CH C CAP.	0.01μF 50V	K
C0544	NCB21HK-103X	CH C CAP.	0.01μF 50V	K
C0545	NCB21HK-103X	CH C CAP.	0.01μF 50V	K
C0546	NCB21HK-103X	CH C CAP.	0.01μF 50V	K
C0547	NCB21HK-103X	CH C CAP.	0.01μF 50V	K
C0548	NCB21HK-103X	CH C CAP.	0.01μF 50V	K
C0549	NCB21HK-103X	CH C CAP.	0.01μF 50V	K
C0550	NCB21HK-103X	CH C CAP.	0.01μF 50V	K
C0551	NCB21HK-103X	CH C CAP.	0.01μF 50V	K
C0555	NDC21HJ-101X	CH C CAP.	100pF 50V	J
C0601	QENC1CM-226Z	BP E CAP.	22μF 16V	M
C0602	QETN1AM-107Z	E CAP.	100μF 10V	M
C0603	NCB21EK-563X	CH C CAP.	0.056μF 25V	K
C0604	NCB21HK-393X	CH C CAP.	0.039μF 50V	K
C0605	QETN1HM-106Z	E CAP.	10μF 50V	M
C0606	QETN1HM-106Z	E CAP.	10μF 50V	M
C0607	QENC1CM-226Z	BP E CAP.	22μF 16V	M
C0608	NCB21HK-103X	CH C CAP.	0.01μF 50V	K
C0609	QETN1HM-105Z	E CAP.	1μF 50V	M
C0610	QENC1CM-226Z	BP E CAP.	22μF 16V	M
C0611	QETN1HM-474Z	E CAP.	0.47μF 50V	M
C0612	QETN1HM-474Z	E CAP.	0.47μF 50V	M
C0613	QETN1HM-226Z	E CAP.	22μF 50V	M
C0614	QETN1CM-227Z	E CAP.	220μF 16V	M
C0615	NCB21HK-272X	CH C CAP.	2700pF 50V	K
C0616	QETN1HM-475Z	E CAP.	4.7μF 50V	M
C0617	NCB21HK-272X	CH C CAP.	2700pF 50V	K
C0618	QETN1HM-225Z	E CAP.	2.2μF 50V	M
C0619	NCB21EK-104X	CH C CAP.	0.1μF 25V	K
C0620	NCB21EK-104X	CH C CAP.	0.1μF 25V	K
C0621	QENC1HM-225Z	BP E CAP.	2.2μF 50V	M
C0622	NCB21EK-104X	CH C CAP.	0.1μF 25V	K
C0623	NCB21EK-104X	CH C CAP.	0.1μF 25V	K
C0624	QETN1HM-475Z	E CAP.	4.7μF 50V	M
C0625	NCB21EK-104X	CH C CAP.	0.1μF 25V	K
C0626	NCB21EK-104X	CH C CAP.	0.1μF 25V	K
C0627	QETN1EM-476Z	E CAP.	47μF 25V	M
C0628	NCB21EK-683X	CH C CAP.	0.068μF 25V	K
C0629	NCB21HK-273X	CH C CAP.	0.027μF 50V	K
C0630	NCB21EK-683X	CH C CAP.	0.068μF 25V	K
C0631	QETN1CM-107Z	E CAP.	100μF 16V	M
C0632	NCB21EK-683X	CH C CAP.	0.068μF 25V	K
C0633	NCB21EK-683X	CH C CAP.	0.068μF 25V	K
C0634	NCB21HK-393X	CH C CAP.	0.039μF 50V	K
C0636	NCB21HK-103X	CH C CAP.	0.01μF 50V	K
C0637	NCB21HK-103X	CH C CAP.	0.01μF 50V	K
C0639	NCB21HK-393X	CH C CAP.	0.039μF 50V	K
C0640	QETN1EM-476Z	E CAP.	47μF 25V	M

**TRANSFORMER**

T0101	CELT001-306	CW TRANSF.
-------	-------------	------------

**COIL**

L0101	QQL244K-1R5Z	COIL	1.5μH	K
L0102	QQL244K-100Z	COIL	10μH	K
L0103	QQL05BK-1R5Z	COIL	1.5μH	K
L0104	QQL244K-100Z	COIL	10μH	K
L0105	QQL244K-150Z	COIL	15μH	K
L0106	QQL244K-180Z	COIL	18μH	K
L0107	QQL244K-100Z	COIL	10μH	K
L0151	QQL244K-120Z	COIL	12μH	K
L0301	QQL244K-680Z	COIL	68μH	K
L0303	QQL244K-120Z	COIL	12μH	K
L0501	NQL02BJ-4R7X	COIL	4.7μH	J
L0502	QQL244K-4R7Z	COIL	4.7μH	K
L0503	QQL244K-4R7Z	COIL	4.7μH	K
L0504	QQL244K-4R7Z	COIL	4.7μH	K

Symbol No.	Part No.	Part Name	Description	Local
<b>DIODE</b>				
D0101	1SS85-T2	SI DIODE		
D0102	1SS85-T2	SI DIODE		
D0103	MA3091/M/-X	CHIP ZENER DIODE		
D0402	MA111-X	CHIP DIODE		
D0407	MA3100/M/-X	CHIP ZENER DIODE		
D0408	MA3100/M/-X	CHIP ZENER DIODE		
D0410	MA3100/M/-X	CHIP ZENER DIODE		
D0413	MA3100/M/-X	CHIP ZENER DIODE		
D0414	MA3100/M/-X	CHIP ZENER DIODE		
D0415	MA3100/M/-X	CHIP ZENER DIODE		
D0416	MA3100/M/-X	CHIP ZENER DIODE		
D0417	MA3100/M/-X	CHIP ZENER DIODE		
D0418	MA3100/M/-X	CHIP ZENER DIODE		
D0419	MA3100/M/-X	CHIP ZENER DIODE		
D0501	MA3082/M/-X	CHIP ZENER DIODE		
D0601	MA111-X	CHIP DIODE		

**TRANSISTOR**

Q0101	2SC5083/L-P/-T	SI TRANSISTOR
Q0102	2SA1037AK/QR/-X	SI TRANSISTOR
Q0103	2SA1037AK/QR/-X	SI TRANSISTOR
Q0104	DTC323TK-X	DIGI TRANSISTOR
Q0105	2SC2412K/QR/-X	CHIP TRANSISTOR
Q0106	2SC2412K/QR/-X	CHIP TRANSISTOR
Q0107	2SC2412K/QR/-X	CHIP TRANSISTOR
Q0301	2SC2412K/QR/-X	CHIP TRANSISTOR
Q0302	2SC2412K/QR/-X	CHIP TRANSISTOR
Q0303	2SC2412K/QR/-X	CHIP TRANSISTOR
Q0304	2SA1037AK/QR/-X	SI TRANSISTOR
Q0401	2SA673/C/-T	TRANSISTOR
Q0402	2SA1037AK/QR/-X	SI TRANSISTOR
Q0405	DTA144TKA-X	DIGI TRANSISTOR
Q0406	DTC363TK-X	DIGI TRANSISTOR
Q0407	DTC363TK-X	DIGI TRANSISTOR

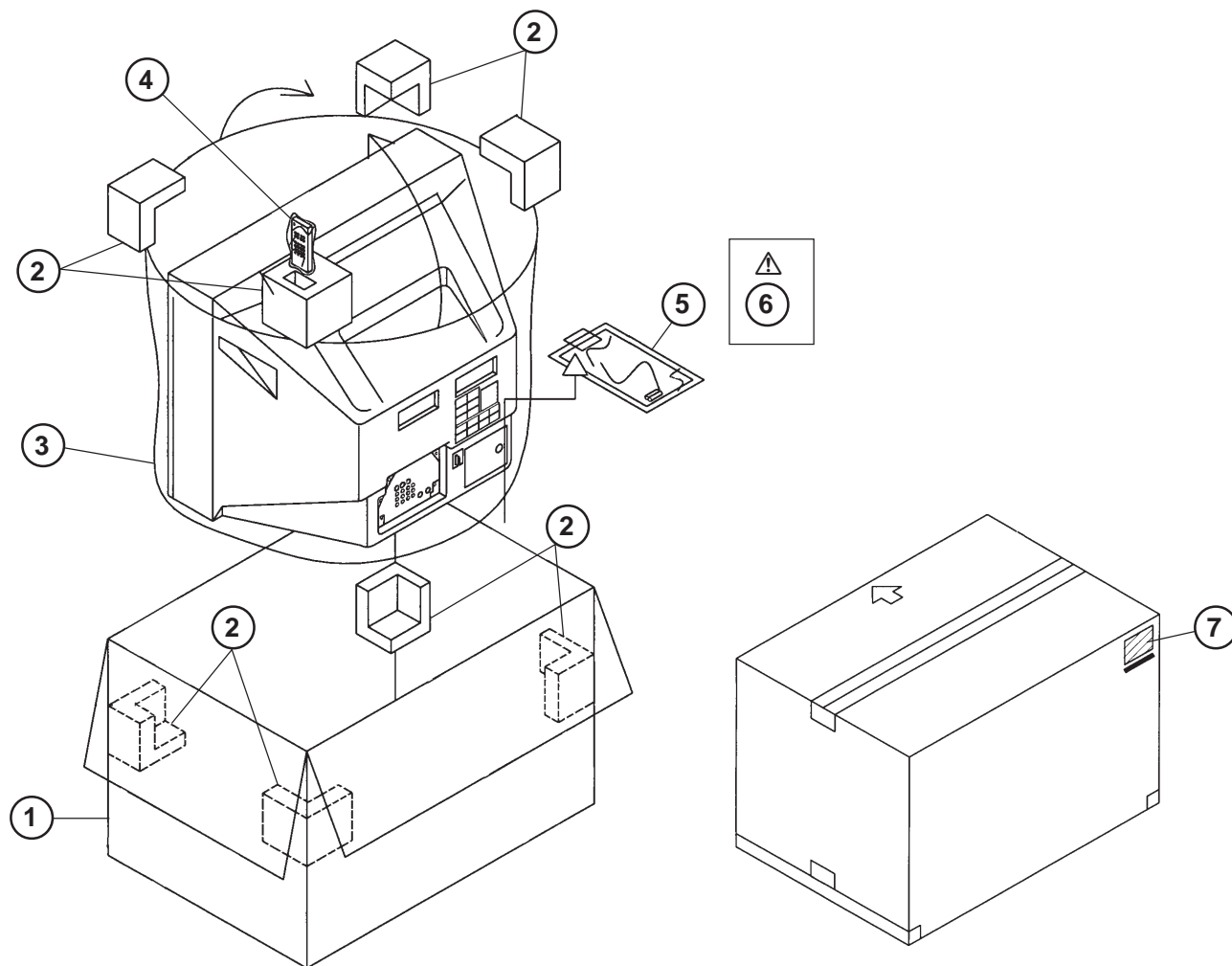
**IC**

IC0101	LA7577N	IC
IC0301	LA7222	IC
IC0401	CXA1545AS	IC
IC0501	MSP3410D-PP-C5	IC
IC0601	AN7395K	IC
IC0602	TDA7315	IC
IC0603	BA4558N	IC

**OTHERS**

CF0101	QAX0552-001	CERAMIC TRAP		
CF0151	SFSH4.5MCB	CERAMIC FILTER		
CN051F	CH42150-003	S B HEADER		
△ CP0601	ICP-N5-Y	IC PROTECTOR		
DL0301	CE42599-001	COMB FILTER MOD		
EF0501	CE42482-103Y	EMI FILTER		
EF0502	CE42482-103Y	EMI FILTER		
△ FR0103	QRZ9017-330	F R	33Ω	1/4W J
△ FR0118	QRZ9017-470	F R	47Ω	1/4W J
J0401	QMD2804-001	MINI CONNECTOR		
J0402	CEMN078-001	PIN JACK		
K0502	CE41433-001Z	BEADS CORE		
SF0101	QAX0497-001	SAW FILTER		
SF0102	QAX0497-002	SAW FILTER		
X0501	CE42546-001Z	X TAL		

## PACKING



## PACKING PARTS LIST

△ Ref.No.	Part No.	Part Name	Description	Local
1	GG10044-006A-H	PACKING CASE		
2	LC10595-002A-H	CUSHION ASSY	8 pcs. in 1 set	
3	CP30967-003-H	POLY BAG		
4	RM-C231-1C	REMOCON UNIT		
5	CP30966-001-H	POLY BAG		
△ 6	LCT0735-001A-H	INST BOOK		
7	CM47385-00B-H	POS/SERIAL LABEL		

## REMOTE CONTROL UNIT PARTS LIST

### RM-C231-1C

△ Ref.No.	Part No.	Part Name	Description	Local
	3139 224 20073	BATTERY COVER		



